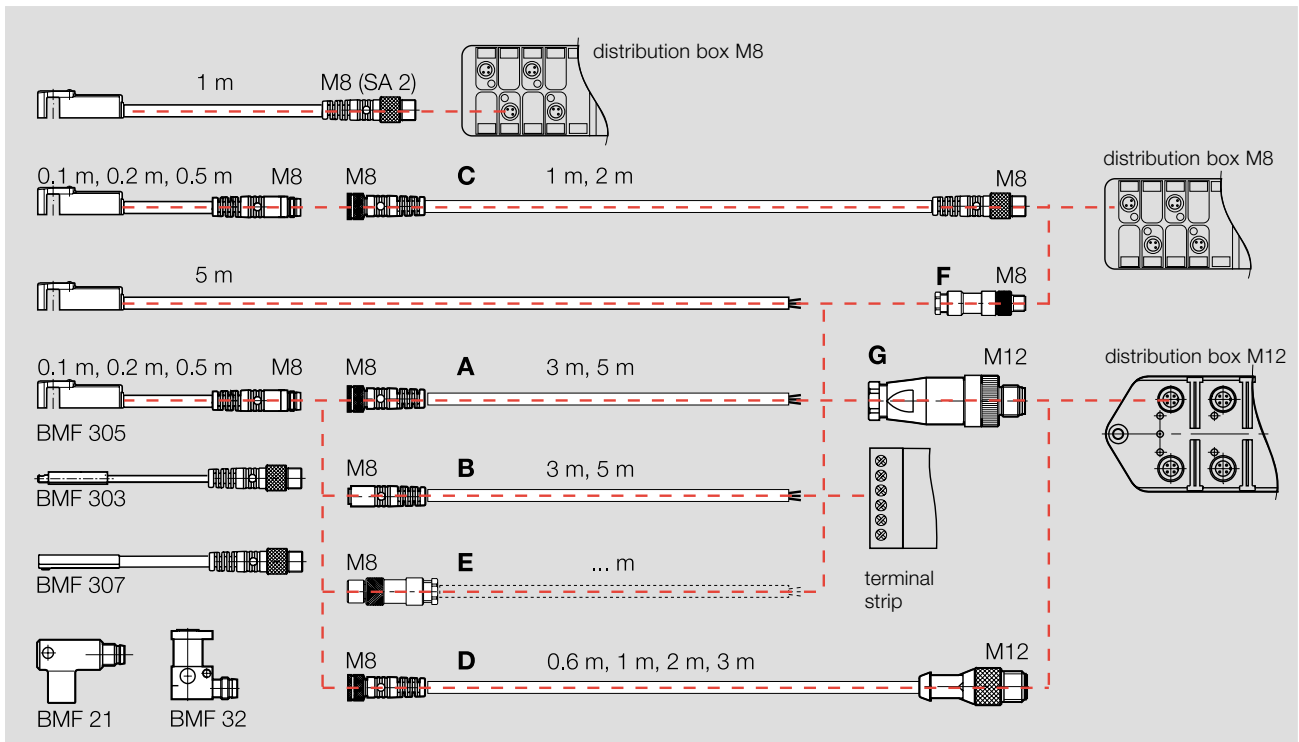


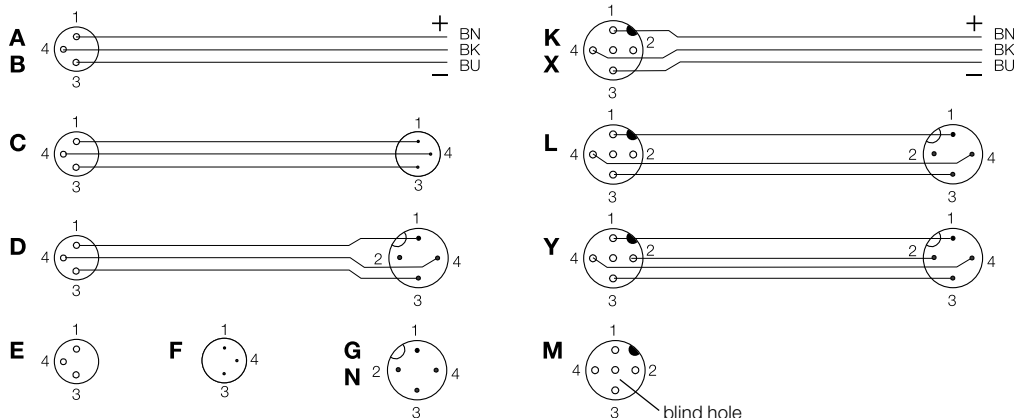
Wiring versions for M8 (BMF-...-S49)

Select the appropriate cable from the magnetic field sensor to your control.



| Type/version | Fastening | Material | Length | Ordering code |
|---|--|----------|--------|-------------------------|
| A straight coupling M8 with molded-in cable | threaded ring M8, self-securing | PVC | 3 m | BKS-B 48-1-03 |
| | | PVC | 5 m | BKS-B 48-1-05 |
| | | PUR | 3 m | BKS-B 48-1-PU-03 |
| | | PUR | 5 m | BKS-B 48-1-PU-05 |
| B straight coupling M8 with molded-in cable | ratchet (for M8) | PVC | 3 m | BKS-B 41-1-03 |
| | | PVC | 5 m | BKS-B 41-1-05 |
| | | PUR | 3 m | BKS-B 41-1-PU-03 |
| | | PUR | 5 m | BKS-B 41-1-PU-05 |
| C straight coupling M8 with cable and straight connector M8 | threaded ring M8, threaded ring M8 | PUR | 1 m | BKS-B 48-1/GS 49-PU-01 |
| | | PUR | 2 m | BKS-B 48-1/GS 49-PU-02 |
| D straight coupling M8 with cable and straight connector M12 | threaded ring M8, threaded ring M12, self-securing | PUR | 0.6 m | BKS-B 48-1/GS 4-PU-00,6 |
| | | PUR | 1 m | BKS-B 48-1/GS 4-PU-01 |
| | | PUR | 2 m | BKS-B 48-1/GS 4-PU-02 |
| | | PUR | 3 m | BKS-B 48-1/GS 4-PU-03 |
| E straight coupling M8, solder contacts 3-pin | threaded ring M8 | | | BKS-S 81-00 |
| F straight connector M8, solder contacts 3-pin | threaded ring M8 | | | BKS-S 82-00 |
| G straight connector M12, screw contacts 4-pin | threaded ring M12 | | | RSC 4/7 |
| | | | | |
| | | | | |

Connector wiring



Wire colors

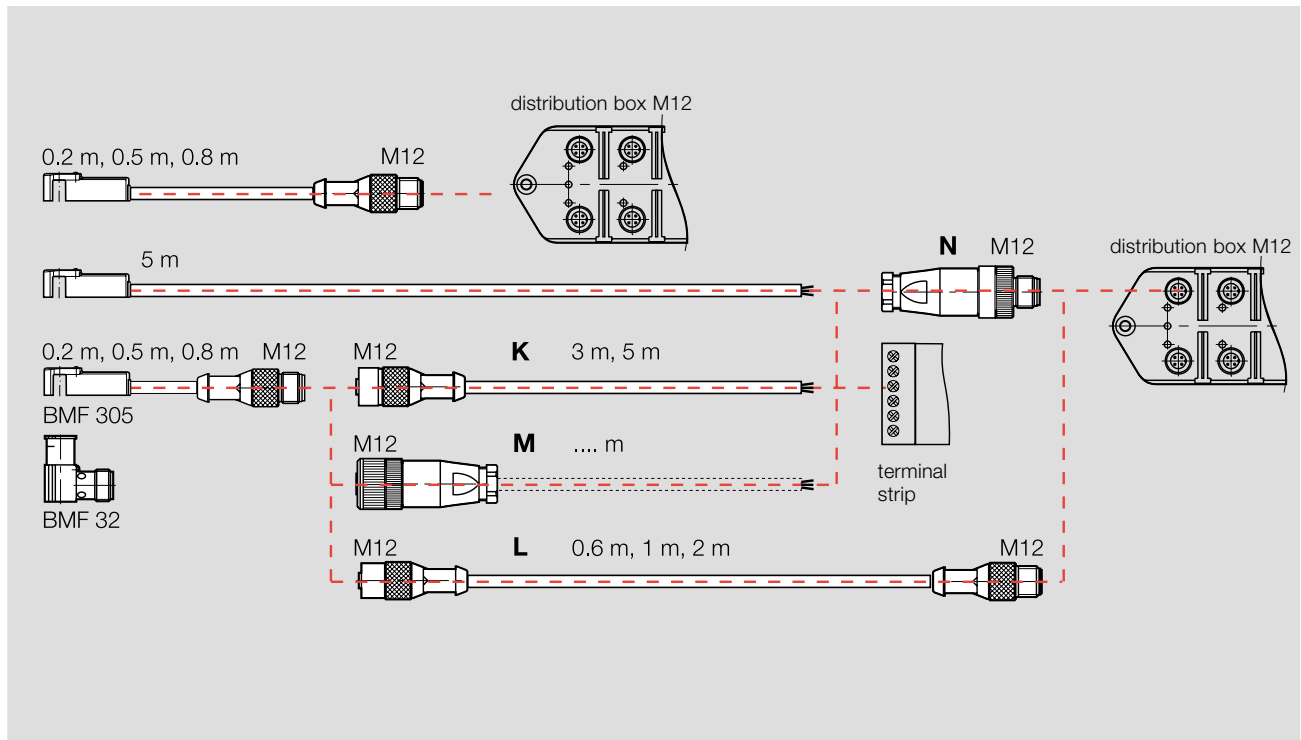
coding as per DIN IEC 60757

| | |
|----|-------|
| BN | brown |
| BK | black |
| BU | blue |

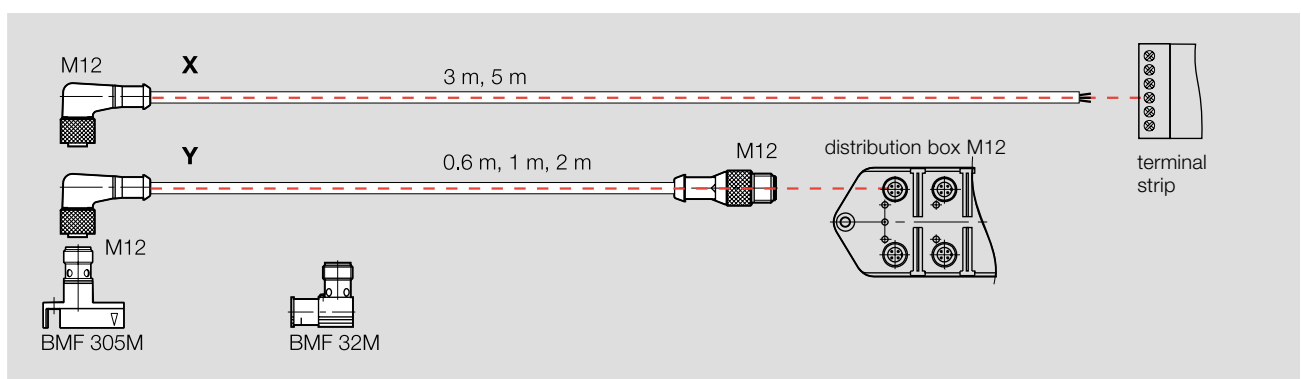
front view of pins/sockets

Wiring versions for M12 (BMF-...-S 4)

Select the appropriate cable from the magnetic field sensor to your control.



| Type/version | Fastening | Material | Length | Ordering code |
|--|---|----------|--------|-------------------------|
| K straight coupling M12 with molded-in cable | threaded ring M12, self-securing | PVC | 3 m | BKS-B 19-1-03 |
| | | PVC | 5 m | BKS-B 19-1-05 |
| | | PUR | 3 m | BKS-B 19-1-PU-03 |
| | | PUR | 5 m | BKS-B 19-1-PU-05 |
| L straight coupling M12 with cable and straight connector M12 | threaded ring M12, threaded ring M12, self-securing | PUR | 0.6 m | BKS-B 19-1/GS 4-PU-00,6 |
| | | PUR | 1 m | BKS-B 19-1/GS 4-PU-01 |
| | | PUR | 2 m | BKS-B 19-1/GS 4-PU-02 |
| M straight coupling M12, screw contacts 4-pin | threaded ring M12 | | | BKS-S 10-3 |
| N straight connector M12, screw contacts 4-pin | threaded ring M12 | | | RSC 4/7 |



| Type/version | Fastening | Material | Length | Ordering code |
|---|---|----------|--------|-------------------------|
| X right angle coupling M12 with molded-in cable | threaded ring M12, self-securing | PVC | 3 m | BKS-B 20-1-03 |
| | | PVC | 5 m | BKS-B 20-1-05 |
| | | PUR | 3 m | BKS-B 20-1-PU-03 |
| | | PUR | 5 m | BKS-B 20-1-PU-05 |
| Y right angle coupling M12 with cable and straight connector M12 | threaded ring M12, threaded ring M12, self-securing | PUR | 0,6 m | BKS-B 20-3/GS 4-PU-00,6 |
| | | PUR | 1 m | BKS-B 20-3/GS 4-PU-01 |
| | | PUR | 2 m | BKS-B 20-3/GS 4-PU-02 |