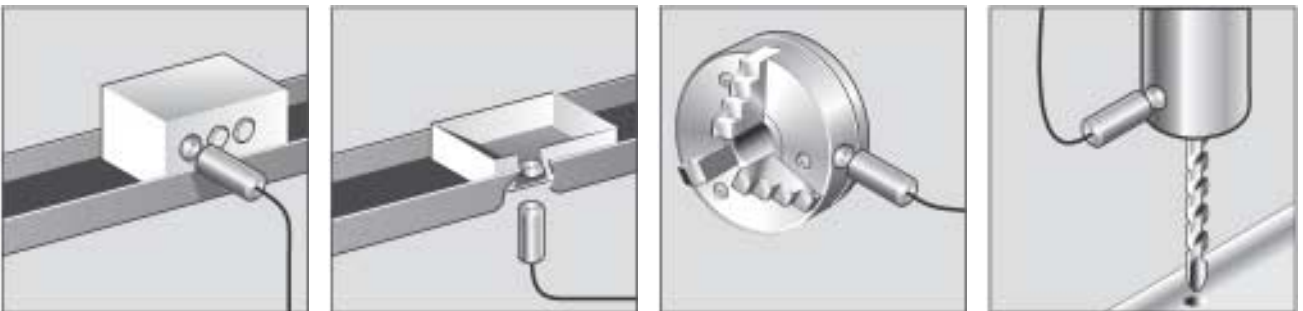


Detecting of piston position in pneumatic cylinders of all sizes.



Series BMF 305M/32M-..-W-.. appropriate to extreme applications. Their metal housing makes them resistant to weld splatter build up.

These sensors can be used in weld fields as strong as 25 kA without damage.



Identification of containers, pallets, etc.

Pallet position detection

Position sensing in cutting area of machine tools

Sensing rotary motion in drill presses for example