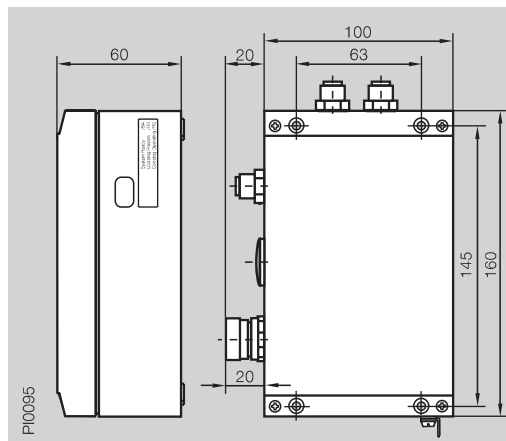


The new series **BIS C-62\_** processor in a rugged metal housing is ideal for extreme demands with its IP 65 enclosure rating. The flexible interface variations as well as the ability to connect up to two read/write heads to a single unit makes this an ideal solution.

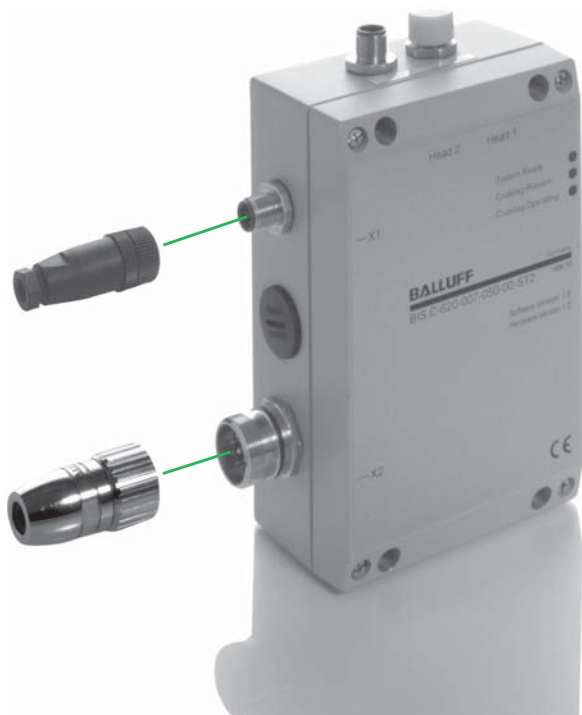
Environmental influences such as aggressive media have no effect on the specially designed housing. Shock and impact do not compromise the enclosure rating.

Additional interface options and software configurations are available upon request.

Description	<b>BIS C-620- -050- -ST2</b>
Function	read/write



Supply voltage	24 V DC $\pm$ 20 %
Ripple	$\leq$ 10 %
Current draw	$\leq$ 400 mA
Operating temperature	0...+60 °C
Storage temperature	0...+60 °C
Protection per IEC 529	IP 65/NEMA 12
Read/Write Head ports	2 external
Connection type	1 connector round 9-pin 1 connector round 5-pin
Connection for	read/write heads BIS C-3_ _ Exception: BIS C-350 and BIS C-352
Description Interface/Software:	
RS232/Balluff Dialog	BIS C-620-007-050-00-ST2
TTY/Balluff Dialog	BIS C-620-007-050-01-ST2
RS422/RS485, 4-wire, point-to-point/ Balluff Dialog	BIS C-620-007-050-02-ST2
RS485, 2-wire, Multidrop/ Balluff Bus	BIS C-620-024-050-04-ST2
Accessories included	configuration software
Accessories (please order separately)	*additional: Software Server for Windows with individual license connector page 44

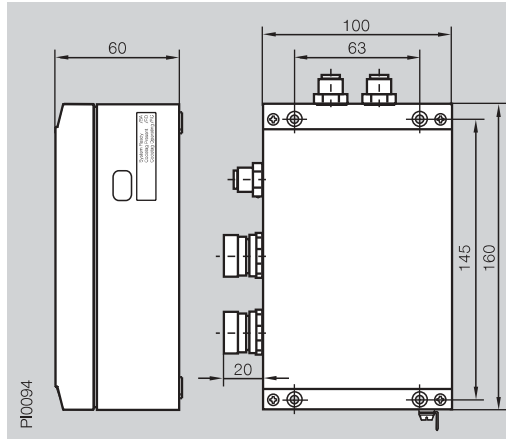


# Parallel

## Identification Systems BIS C

Processors  
for the  
Read/Write System

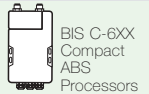
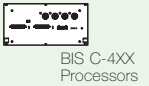
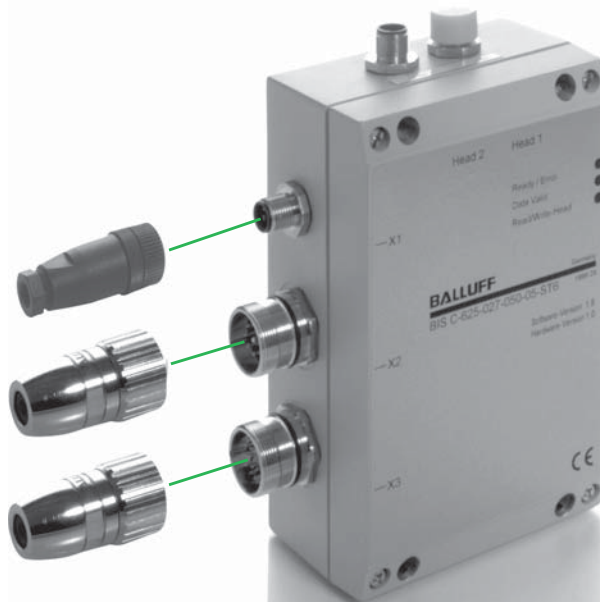
Description	<b>BIS C-625- -050-05-ST6</b>
Function	read/write



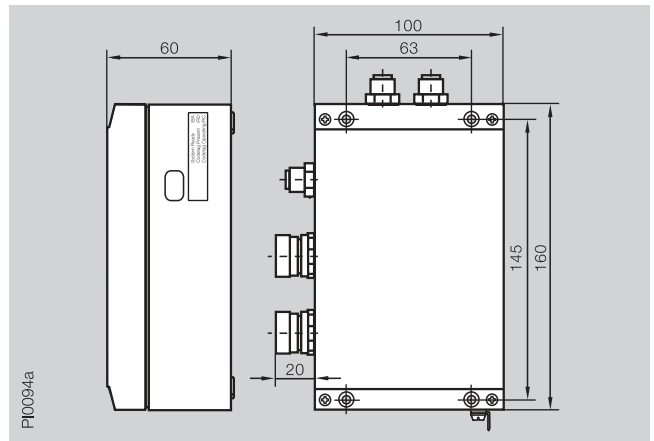
Supply voltage	24 V DC $\pm 20\%$
Ripple	$\leq 10\%$
Current draw	$\leq 400$ mA
Operating temperature	0...+60 °C
Storage temperature	0...+60 °C
Protection per IEC 529	IP 65/NEMA 12
Read/Write Head ports	2 external
Connection type	1 connector round 5-pin 1 connector round 9-pin 1 connector round 19-pin
Connection for	read/write heads BIS C-3_ _ Exception: BIS C-350 and BIS C-352
Description Interface/Software: Parallel and RS232/Balluff Dialog	<b>BIS C-625-027-050-05-ST6</b>
Accessories included	configuration software
Accessories (please order separately)	BIS-C 6.. threaded cover M23x1x11 connector pages 44-45



**Threaded cover**  
IP 65 protective cover for  
unused connectors!



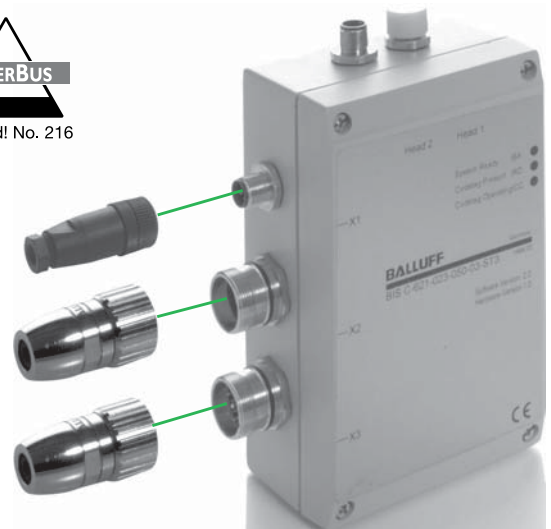
Description	<b>BIS C-621- -050-03-ST3</b>
Function	read/write



Supply voltage	24 V DC ±20 %
Ripple	≤10 %
Current draw	≤400 mA
Operating temperature	0...+60 °C
Storage temperature	0...+60 °C
Protection per IEC 529	IP 65/NEMA 12
Read/Write Heads ports	2 external
Connection type	2 connector round 9-pin 1 connector round 5-pin
Connection for	Read/Write Heads BIS C-3_ _ Exception: BIS C-350 and BIS C-352
Description Interface/Software:	
INTERBUS	BIS C-621-023-050-03-ST3
Remote bus station or installation bus	
Profibus DP	
Profibus DP (with memory-optimized data carrier editing)	
DeviceNet	
Accessories included	
Accessories (please order separately)	BIS-C 6.. threaded cover M23×1×11 connector page 44

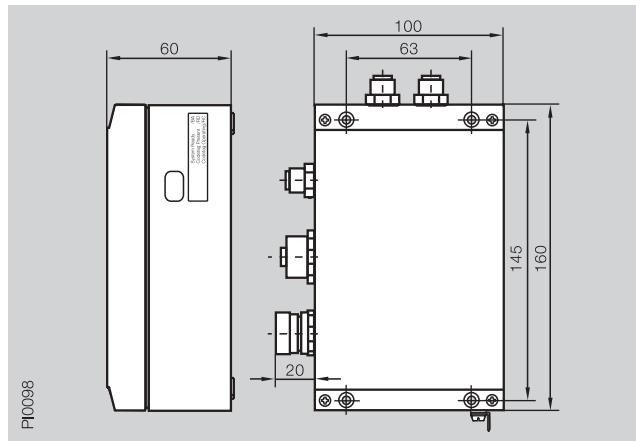
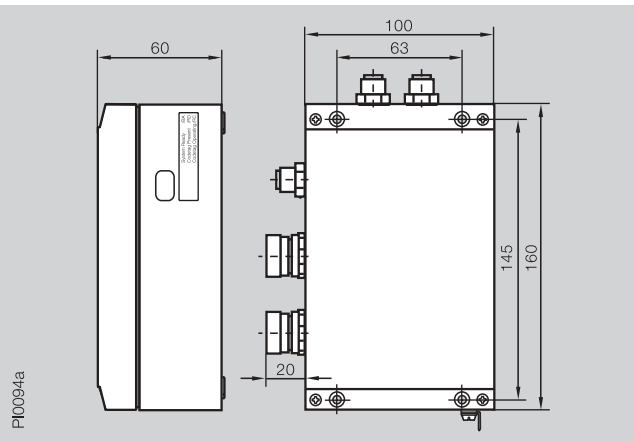


**Threaded cover**  
IP 65 protective cover for  
unused connectors!



**BIS C-622- -050-03-ST5**  
read/write

**BIS C-623- -050-03-ST7**  
read/write



24 V DC  $\pm 20\%$   
 $\leq 10\%$   
 $\leq 400$  mA  
0...+50 °C  
0...+50 °C  
IP 65/NEMA 12  
2 external

24 V DC  $\pm 20\%$   
 $\leq 10\%$   
 $\leq 400$  mA  
0...+50 °C  
0...+50 °C  
IP 65/NEMA 12  
2 external

2 connector round 12-pin  
1 connector round 5-pin  
Read/Write Heads BIS C-3\_ \_  
Exception: BIS C-350 and BIS C-352

3 connector round 5-pin  
Read/Write Heads BIS C-3\_ \_  
Exception: BIS C-350 and BIS C-352

BIS C-622-019-050-03-ST5  
BIS C-622-028-050-03-ST5

BIS C-623-025-050-03-ST7

software GSD-file  
BIS-C 6.. threaded cover M23x1x11  
connector page 44

software ESD-file  
BIS-C 623 threaded cover 7/8"  
connector pages 44 and 45  
termination resistor page 45

