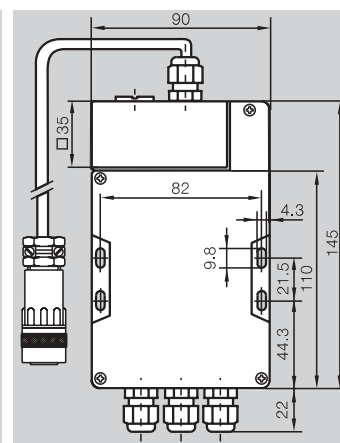
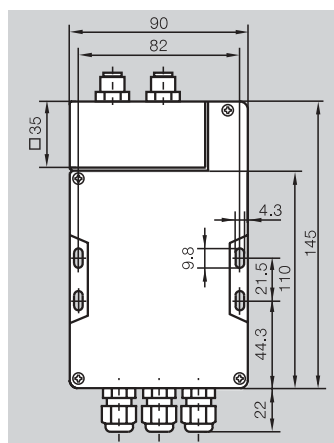


Description	<b>BIS C-600- -650- -KL1</b>	<b>BIS C-600- -670- -KL1</b>
Function	read/write	read/write
Antenna type		



Supply voltage	24 V DC $\pm 20\%$	24 V DC $\pm 20\%$
Ripple	$\leq 10\%$	$\leq 10\%$
Current draw	$\leq 400$ mA	$\leq 400$ mA
Operating temperature	0...+60 °C	0...+60 °C
Storage temperature	0...+60 °C	0...+60 °C
Protection per IEC 529	IP 65/NEMA 12	IP 65/NEMA 12
Read/Write Head ports	2 external	1 external
Control inputs	1 (via opto-coupler), 24 V DC	1 (via opto-coupler), 24 V DC
Control outputs	4 (via opto-coupler), 24 V DC	4 (via opto-coupler), 24 V DC
Connection type	terminals 3 Pg 9	terminals 3 Pg 9
Description Interface/Software:		
RS232/Balluff Dialog	BIS C-600-007-650-00-KL1	BIS C-600-007-670-00-KL1
TTY/Balluff Dialog	BIS C-600-007-650-01-KL1	BIS C-600-007-670-01-KL1
RS422/RS485, 4-wire, point-to-point/ Balluff Dialog	BIS C-600-007-650-02-KL1	BIS C-600-007-670-02-KL1
RS485, 2-wire, Multidrop/ Balluff Bus	BIS C-600-024-650-04-KL1	BIS C-600-024-670-04-KL1
Accessories included		configuration software *additional: Software Server for Windows with individual license

The new **Compact Class BIS C-6\_ \_** with its reduced dimensions and various interface options can be used wherever ambient conditions do not require higher protection. If IP 65 is sufficient and no media aggressive to PS plastic are present, this device family is the ideal solution. Small, compact, flexible and economical: these are the characteristics of this series.

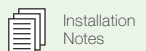
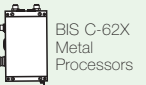
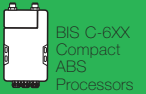
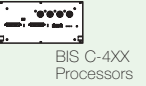
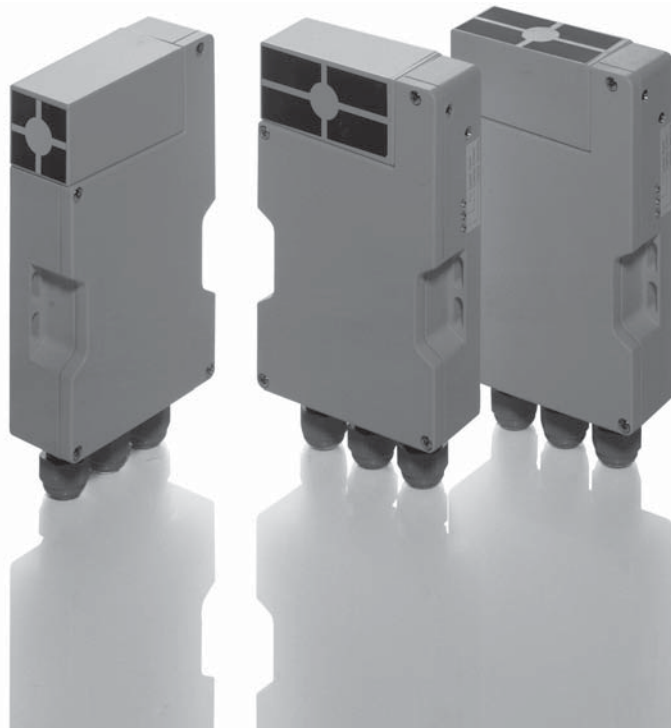


Adapter can be rotated in 3 directions

BIS C-600- -651- -KL1	BIS C-600- -652- -KL1	BIS C-600- -653- -KL1
read/write round	read/write round	read/write rod
24 V DC $\pm 20\%$ $\leq 10\%$ $\leq 400$ mA 0...+60 °C 0...+60 °C IP 65/NEMA 12 1 internal, 1 external 1 (via opto-coupler), 24 V DC 4 (via opto-coupler), 24 V DC terminals 3 Pg 9	24 V DC $\pm 20\%$ $\leq 10\%$ $\leq 400$ mA 0...+60 °C 0...+60 °C IP 65/NEMA 12 1 internal, 1 external 1 (via opto-coupler), 24 V DC 4 (via opto-coupler), 24 V DC terminals 3 Pg 9	24 V DC $\pm 20\%$ $\leq 10\%$ $\leq 400$ mA 0...+60 °C 0...+60 °C IP 65/NEMA 12 1 internal, 1 external 1 (via opto-coupler), 24 V DC 4 (via opto-coupler), 24 V DC terminals 3 Pg 9
BIS C-600-007-651-00-KL1 BIS C-600-007-651-01-KL1 BIS C-600-007-651-02-KL1	BIS C-600-007-652-00-KL1 BIS C-600-007-652-01-KL1 BIS C-600-007-652-02-KL1	BIS C-600-007-653-00-KL1 BIS C-600-007-653-01-KL1 BIS C-600-007-653-02-KL1
BIS C-600-024-651-04-KL1	BIS C-600-024-652-04-KL1	BIS C-600-024-653-04-KL1

configuration software  
\*additional: Software Server for Windows with individual license

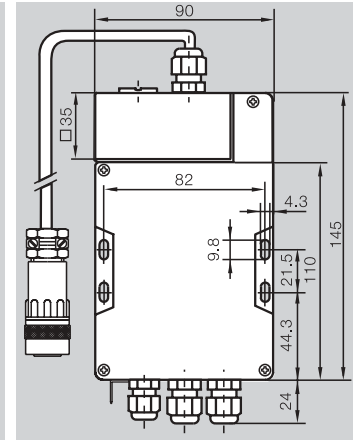
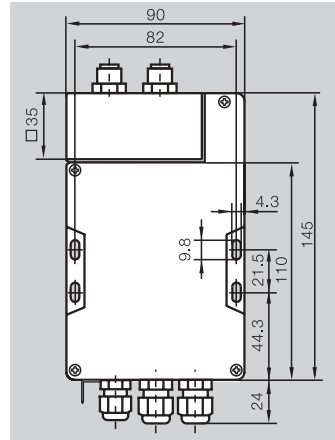
Read/Write Head  
can be rotated in 3  
directions



Description
Function
Antenna type



<b>BIS C-601- -650-03-KL2</b>	<b>BIS C-601- -670-03-KL2</b>
read/write	read/write



Supply voltage
Ripple
Current draw
Operating temperature
Storage temperature
Protection per IEC 529
Read/Write Head ports
Control inputs
Control outputs
Connection type

24 V DC $\pm 20\%$
$\leq 10\%$
$\leq 400\text{ mA}$
0...+60 °C
0...+60 °C
IP 65/NEMA 12
2 external
1 (via opto-coupler), 24 V DC
terminals 1 Pg 9
terminals 2 Pg 11

24 V DC $\pm 20\%$
$\leq 10\%$
$\leq 400\text{ mA}$
0...+60 °C
0...+60 °C
IP 65/NEMA 12
1 external
1 (via opto-coupler), 24 V DC
terminals 1 Pg 9
terminals 2 Pg 11

Description Interface/Software:
INTERBUS
Remote bus subscriber

BIS C-601-023-650-03-KL2
--------------------------

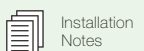
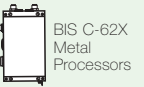
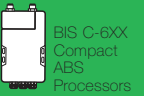
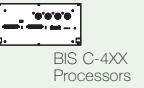
BIS C-601-023-670-03-KL2
--------------------------

The new **Compact Class BIS C-6\_** with its reduced dimensions and various interface options can be used wherever ambient conditions do not require higher protection. If IP 65 is sufficient and no media aggressive to PS plastic are present, this device family is the ideal solution. Small, compact, flexible and economical: these are the characteristics of this series.



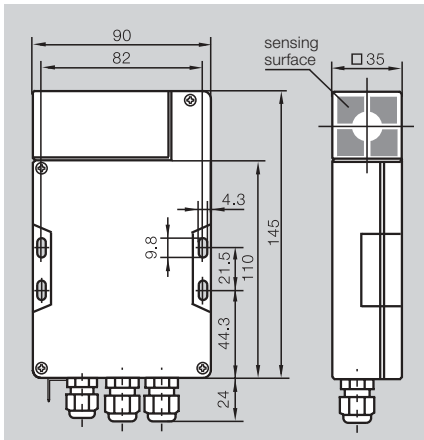
Adapter can be rotated in 3 directions





### BIS C-601- -651-03-KL2

read/write  
round



24 V DC  $\pm 20\%$

$\leq 10\%$

$\leq 400$  mA

0...+60 °C

0...+60 °C

IP 65/NEMA 12

1 internal

1 (via opto-coupler), 24 V DC

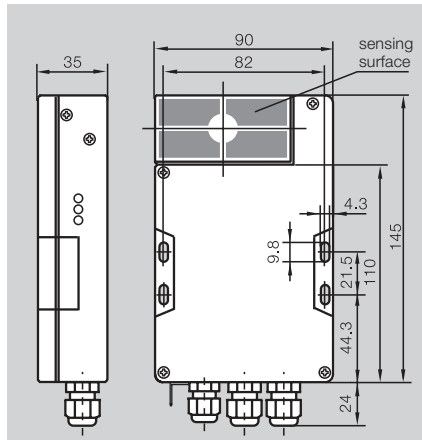
terminals 1 Pg 9

terminals 2 Pg 11

BIS C-601-023-651-03-KL2

### BIS C-601- -652-03-KL2

read/write  
round



24 V DC  $\pm 20\%$

$\leq 10\%$

$\leq 400$  mA

0...+60 °C

0...+60 °C

IP 65/NEMA 12

1 internal

1 (via opto-coupler), 24 V DC

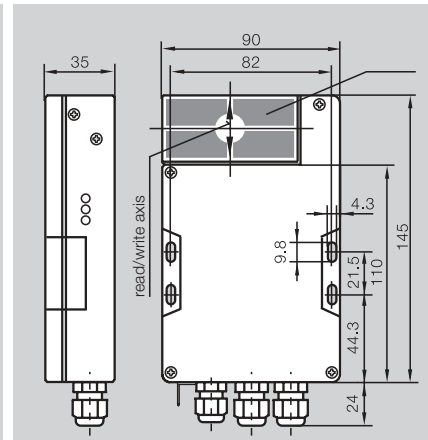
terminals 1 Pg 9

terminals 2 Pg 11

BIS C-601-023-652-03-KL2

### BIS C-601- -653-03-KL2

read/write  
rod



24 V DC  $\pm 20\%$

$\leq 10\%$

$\leq 400$  mA

0...+60 °C

0...+60 °C

IP 65/NEMA 12

1 internal

1 (via opto-coupler), 24 V DC

terminals 1 Pg 9


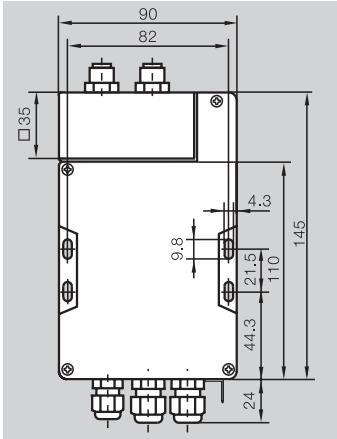
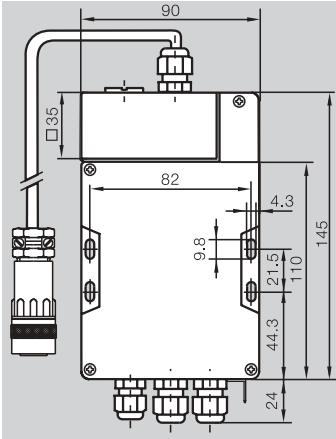
terminals 2 Pg 11

BIS C-601-023-653-03-KL2



Read/Write Head  
can be rotated in 3  
directions



Description	<b>BIS C-602- -650-03-KL2</b>	<b>BIS C-602- -670-03-KL2</b>
Function	read/write	read/write
Antenna type		
		
		
Supply voltage	24 V DC $\pm 20\%$	24 V DC $\pm 20\%$
Ripple	$\leq 10\%$	$\leq 10\%$
Current draw	$\leq 400$ mA	$\leq 400$ mA
Operating temperature	0...+50 °C	0...+50 °C
Storage temperature	0...+50 °C	0...+50 °C
Protection per IEC 529	IP 65/NEMA 12	IP 65/NEMA 12
Read/Write Head ports	2 external	1 external
Control inputs	1 (via opto-coupler), 24 V DC	1 (via opto-coupler), 24 V DC
Connection type	terminals 1 Pg 9 terminals 2 Pg 11	terminals 1 Pg 9 terminals 2 Pg 11
Description Interface/Software:		
Profibus DP	BIS C-602-019-650-03-KL2	BIS C-602-019-670-03-KL2
Profibus DP (with memory-optimized data carrier editing)	BIS C-602-028-650-03-KL2	BIS C-602-028-670-03-KL2
Accessories included	software GSD-file	software GSD-file


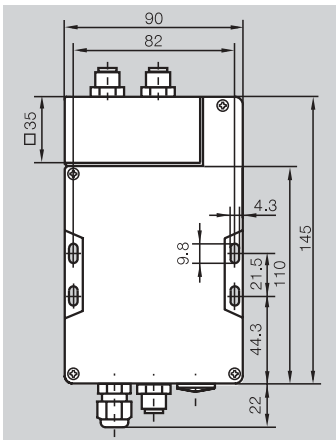
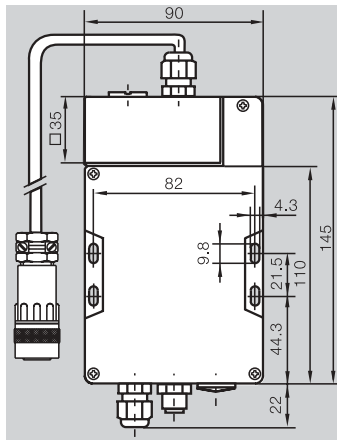
The new **Compact Class BIS C-6\_\_** with its reduced dimensions and various interface options can be used wherever ambient conditions do not require higher protection. If IP 65 is sufficient and no media aggressive to PS plastic are present, this device family is the ideal solution. Small, compact, flexible and economical: these are the characteristics of this series.



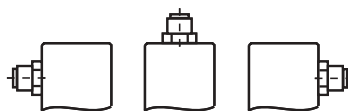
Adapter can be rotated in 3 directions



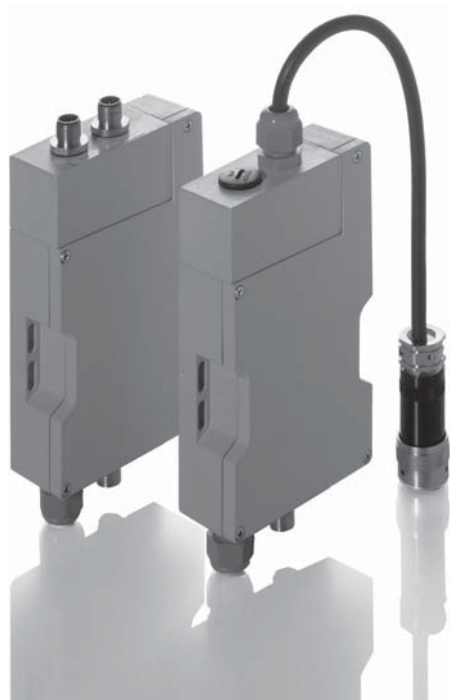


Description	<b>BIS C-603- -650-03-ST1</b>	<b>BIS C-603- -670-03-ST1</b>
Function	read/write	read/write
Antenna type		
		
		
Supply voltage	24 V DC ±20 %	24 V DC ±20 %
Ripple	≤10 %	≤10 %
Current draw	≤400 mA	≤400 mA
Operating temperature	0...+50 °C	0...+50 °C
Storage temperature	0...+50 °C	0...+50 °C
Protection per IEC 529	IP 65/NEMA 12	IP 65/NEMA 12
Read/Write Head ports	2 external	1 external
Connection type	terminals 1 PG 9 1 connector round 5-pin	terminals 1 PG 9 1 connector round 5-pin
Description Interface/Software:		
DeviceNet™	BIS C-603-025-650-03-ST1	BIS C-603-025-670-03-ST1
Accessories included	software EDS-file	software EDS-file
Accessories (please order separately)	connector page 44	connector page 44

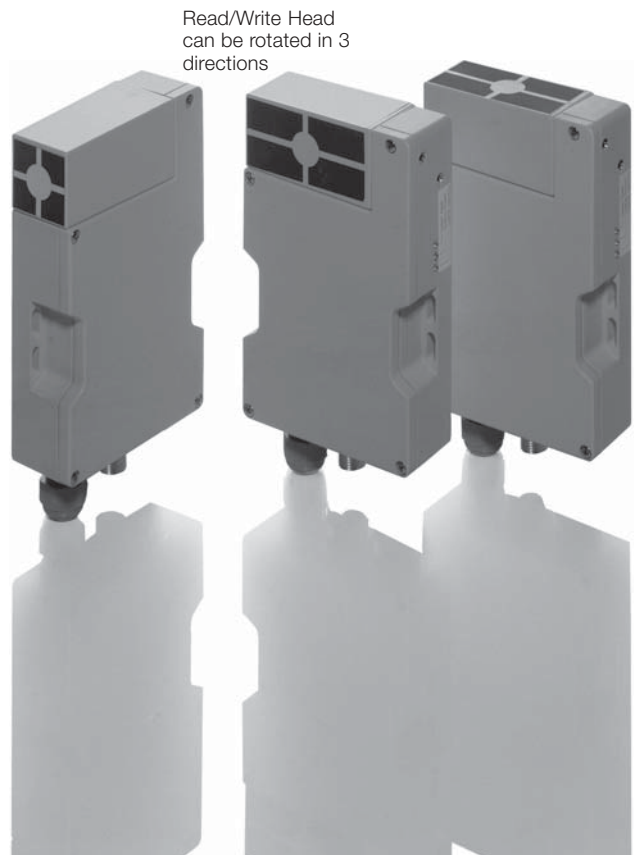
The new **Compact Class BIS C-6\_ \_** with its reduced dimensions and various interface options can be used wherever ambient conditions do not require higher protection. If IP 65 is sufficient and no media aggressive to PS plastic are present, this device family is the ideal solution. Small, compact, flexible and economical: these are the characteristics of this series.



Adapter can be rotated in 3 directions


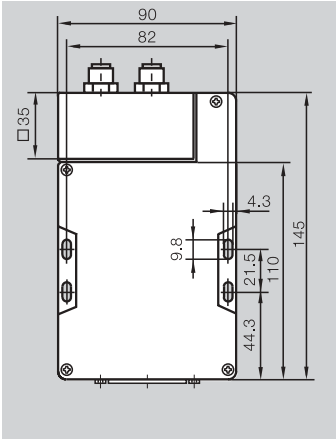
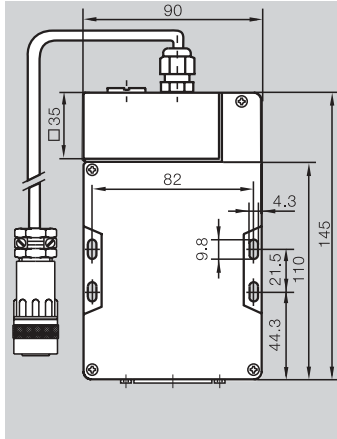


<b>BIS C-603- -651-03-ST1</b> read/write round	<b>BIS C-603- -652-03-ST1</b> read/write round	<b>BIS C-603- -653-03-ST1</b> read/write rod
24 V DC ±20 % ≤10 % ≤400 mA 0...+50 °C 0...+50 °C IP 65/NEMA 12 1 internal terminals 1 PG 9 1 connector round 5-pin	24 V DC ±20 % ≤10 % ≤400 mA 0...+50 °C 0...+50 °C IP 65/NEMA 12 1 internal terminals 1 PG 9 1 connector round 5-pin	24 V DC ±20 % ≤10 % ≤400 mA 0...+50 °C 0...+50 °C IP 65/NEMA 12 1 internal terminals 1 PG 9 1 connector round 5-pin
<b>BIS C-603-025-651-03-ST1</b>	<b>BIS C-603-025-652-03-ST1</b>	<b>BIS C-603-025-653-03-ST1</b>
software EDS-file connector page 44	software EDS-file connector page 44	software EDS-file connector page 44



- Data Carriers
- Read/Write Heads, Data Coupler
- BIS C-4XX Processors
- BIS C-6XX Compact ABS Processors
- BIS C-62X Metal Processors
- Parallel Read Only System
- Card Holder, Adapters & Clamping Cuffs
- Expander Module
- Converter
- Handy Programmer
- Connector Cables with Connectors
- Connectors, Termination Resistor
- Installation Notes
- Read/Write Times
- PC Software



Description	<b>BIS C-605- -650-05-ST4</b>	<b>BIS C-605- -670-05-ST4</b>
Function	read/write	read/write
Antenna type		
		
		
		
Supply voltage	24 V DC $\pm 20\%$	24 V DC $\pm 20\%$
Ripple	$\leq 10\%$	$\leq 10\%$
Current draw	$\leq 400$ mA	$\leq 400$ mA
Operating temperature	0...+60 °C	0...+60 °C
Storage temperature	0...+60 °C	0...+60 °C
Protection per IEC 529	IP 54/NEMA 12	IP 54/NEMA 12
Read/Write Head ports	2 external	1 external
Control inputs	4 (via opto-coupler), 24 V DC	4 (via opto-coupler), 24 V DC
Control outputs	13 (via opto-coupler), 24 V DC	13 (via opto-coupler), 24 V DC
Connection type	MIN Sub D 25-pin	MIN Sub D 25-pin
Description Interface/Software:		
Parallel and RS232/Balluff Dialog	BIS C-605-027-650-05-ST4	BIS C-605-027-670-05-ST4
Accessories included	configuration software	configuration software



The new **Compact Class BIS C-6\_** with its reduced dimensions and various interface options can be used wherever ambient conditions do not require higher protection.

Small, compact, flexible and economical: these are the characteristics of this series.

**Advantages of the BIS C-605 Parallel Model**

The BIS C-605 processor provides both a parallel and a serial interface.

The parallel port is configured as a "read-only" interface. Data may not be written to the data carrier in parallel mode. However, single-bit information (GOOD/BAD, LARGE/SMALL, TYPE1/TYPE2) can be written to the data carrier through this processor. This bit information is also sent as a separate output signal.

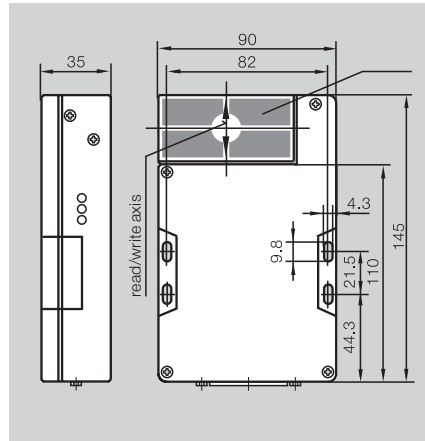
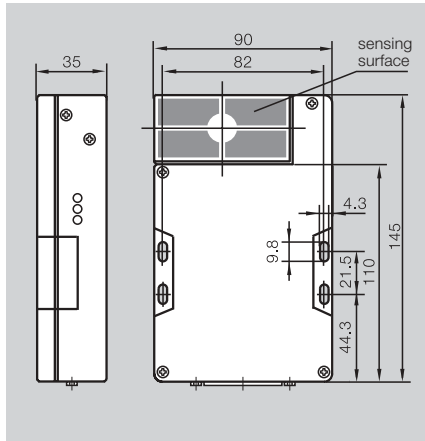
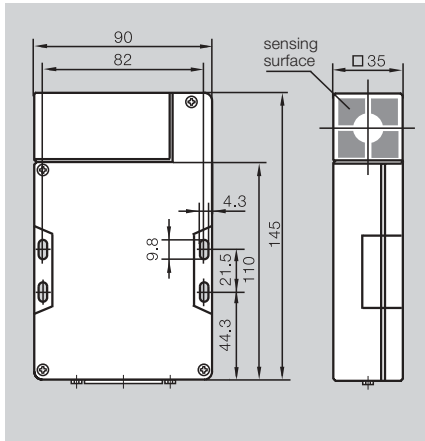


Adapter can be rotated in 3 directions

**BIS C-605- -651-05-ST4**  
read/write  
round

**BIS C-605- -652-05-ST4**  
read/write  
round

**BIS C-605- -653-05-ST4**  
read/write  
rod



24 V DC  $\pm 20\%$   
 $\leq 10\%$   
 $\leq 400$  mA  
0...+60 °C  
0...+60 °C  
IP 54/NEMA 12

24 V DC  $\pm 20\%$   
 $\leq 10\%$   
 $\leq 400$  mA  
0...+60 °C  
0...+60 °C  
IP 54/NEMA 12

24 V DC  $\pm 20\%$   
 $\leq 10\%$   
 $\leq 400$  mA  
0...+60 °C  
0...+60 °C  
IP 54/NEMA 12

1 internal  
4 (via opto-coupler), 24 V DC  
13 (via opto-coupler), 24 V DC  
MIN Sub D 25-pin

1 internal  
4 (via opto-coupler), 24 V DC  
13 (via opto-coupler), 24 V DC  
MIN Sub D 25-pin

1 internal  
4 (via opto-coupler), 24 V DC  
13 (via opto-coupler), 24 V DC  
MIN Sub D 25-pin

BIS C-605-027-651-05-ST4

BIS C-605-027-652-05-ST4

BIS C-605-027-653-05-ST4

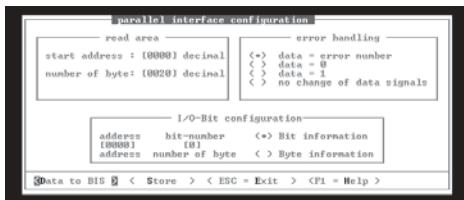
configuration software

configuration software

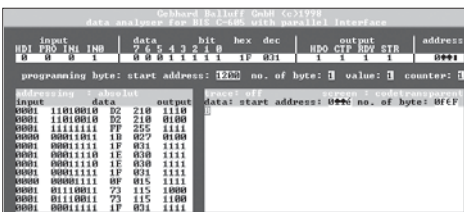
configuration software



Initialization refers to determining the processor's functionality with respect to parallel and serial operation.

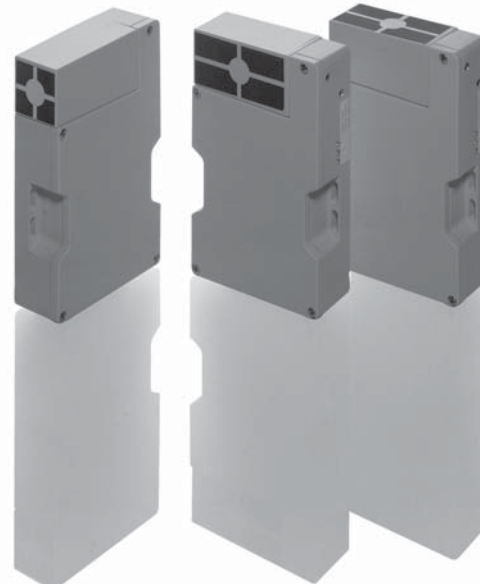


The configuration section is used for more detailed specification with respect to data management. Here you define the start address for reading and how many bytes are to be read from the data carrier. The I/O-bit field is used for specifying which bit from which address shall be programmed as GOOD/BAD information.



After configuring for parallel mode the serial interface can again be implemented for enabling the monitor function. Here the user has the option of tracking the data as well as all status signals in trace mode or even saving them as a file. This makes it possible to fully document data communication with the processor during start-up.

Read/Write Head can be rotated in 3 directions



Data Carriers



Read/Write Heads, Data Coupler



BIS C-4XX Processors



BIS C-6XX Compact ABS Processors



BIS C-62X Metal Processors



Parallel Read Only System



Card Holder, Adapters & Clamping Cuffs



Expander Module



Converter



Handy Programmer



Connector Cables with Connectors



Connectors, Termination Resistor



Installation Notes



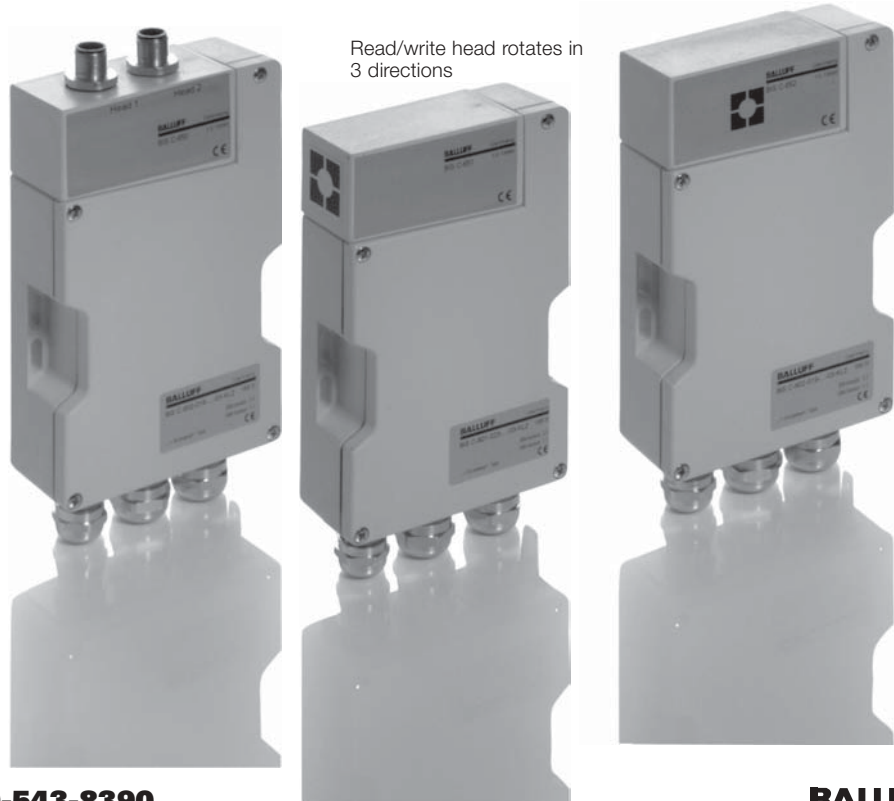
Read/Write Times



PC Software



BIS C-6002-019-651-03-KL2	BIS C-6002-019-652-03-KL2	BIS C-6002-019-653-03-KL2
read/write round	read/write round	read/write bar
24 V DC $\pm 20\%$ $\leq 10\%$ $\leq 400\text{ mA}$ $0\text{...}+50\text{ }^\circ\text{C}$ $0\text{...}+50\text{ }^\circ\text{C}$ IP 65/NEMA 12 1 internal 1 (opto-coupler isolated), 24 V DC 2 (opto-coupler isolated), 24 V DC 1 Pg 9 Cord seal 2 Pg 11 Cord seals	24 V DC $\pm 20\%$ $\leq 10\%$ $\leq 400\text{ mA}$ $0\text{...}+50\text{ }^\circ\text{C}$ $0\text{...}+50\text{ }^\circ\text{C}$ IP 65/NEMA 12 1 internal 1 (opto-coupler isolated), 24 V DC 2 (opto-coupler isolated), 24 V DC 1 Pg 9 Cord seal 2 Pg 11 Cord seals	24 V DC $\pm 20\%$ $\leq 10\%$ $\leq 400\text{ mA}$ $0\text{...}+50\text{ }^\circ\text{C}$ $0\text{...}+50\text{ }^\circ\text{C}$ IP 65/NEMA 12 1 internal 1 (opto-coupler isolated), 24 V DC 2 (opto-coupler isolated), 24 V DC Clamps through 1 Pg 9 Clamps through 2 Pg 11
BIS C-6002-019-651-03-KL2	BIS C-6002-019-652-03-KL2	BIS C-6002-019-653-03-KL2
Software GSD file	Software GSD-file	Software GSD file



Adapter rotates to 3 positions

