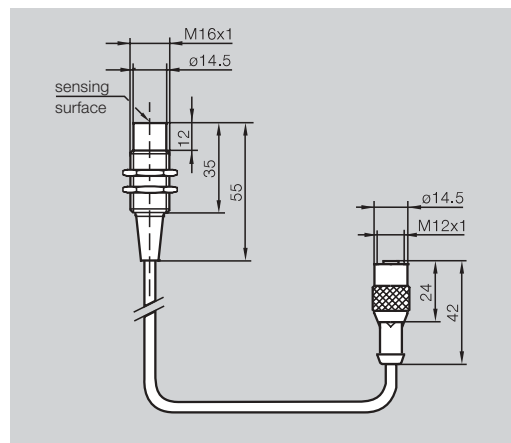
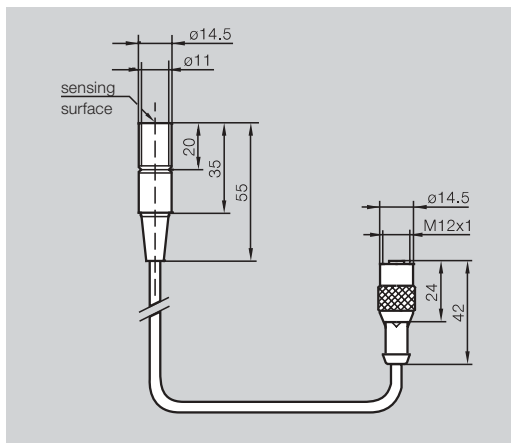


Dimensions	\varnothing 14.5	M16
Housing material	nickel plated brass	nickel plated brass
Antenna type	round	round



Order code	BIS C-300-__	BIS C-306-__
Mounting in steel	flush	flush
Operating temperature	0...+70 °C	0...+70 °C
Storage temperature	-20...+85 °C	-20...+85 °C
Protection per IEC 529	IP 67	IP 67
Cable	1 m, 5 m or 10 m/PUR	1 m, 5 m or 10 m/PUR
Connection to	Converter BIS C-901 (page 38) or Adapter BIS C-650 (page 12)	Converter BIS C-901 (page 38) or Adapter BIS C-650 (page 12)

	BIS C-100-05/A	BIS C-103-05/A	BIS C-105-05/A	BIS C-122-04/L flush	BIS C-100-05/A	BIS C-103-05/A	BIS C-105-05/A	BIS C-122-04/L	BIS C-130-05/L flush	BIS C-130-05/L non-flush
Appropriate data carrier										
Static mode										
Write distance in mm	0-2	0-2	0-1.5	0-2	0-2	0-2	0-1.5	0-2	0-3.5	0-6
Read distance in mm	0-2.5	0-2.5	0-2	0-2.5	0-2.5	0-2.5	0-2	0-2.5	0-3.5	0-6
Offset in mm	±2.5	±2	±1.5	±2	±2.5	±2	±1.5	±2	±5	±6
at distance	1 mm								±3	±6
	3 mm									±4
	5 mm									
	7 mm									
	15 mm									
Dynamic mode										
Read/Write distance in mm	1	1	1	1	1	1	1	1		1-5
V_{max} to write bytes 0...3 in m/min										7-4
V_{max} to read bytes 0...3 in m/min	4	3	2.4	3	4	3	2.4	3		12-8

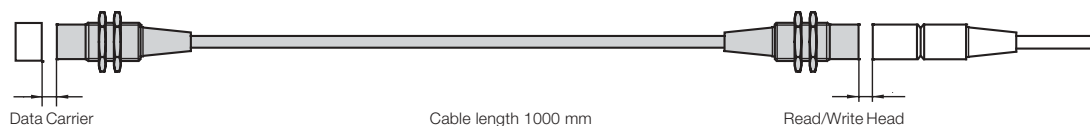
For read/write heads with integral cable, please indicate length in ordering code!
01 = length 1 m, 05 = length 5 m, 10 = length 10 m.

Caution!
At 10 m cable length, read/write distance is reduced by 10 %.

Data Coupler BIS C-380-...
for data transmission between data carrier BIS C-1__ and read/write heads BIS C-3__ using contactless extension.

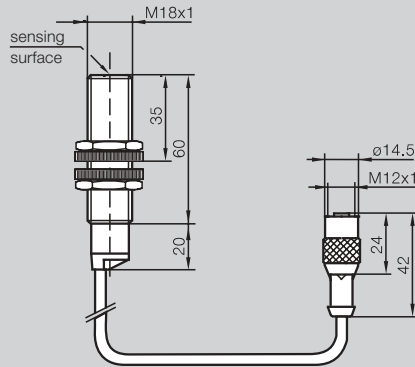


Handle BIS C-300-HG1
for read/write head BIS C-300-__
Material: POM



M18

plastic PBTP
round



BIS C-319-__

non-flush
0...+70 °C
-20...+85 °C
IP 67

5 m or 10 m/PUR

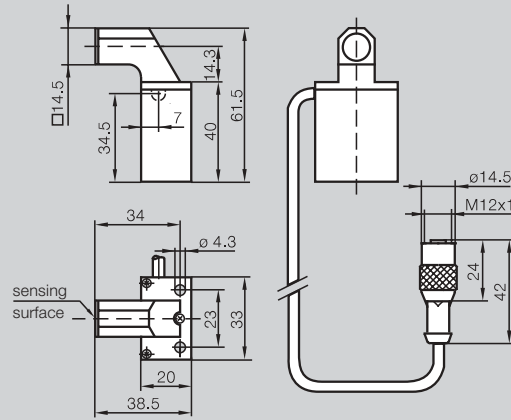
Converter BIS C-901 (page 38) or
Adapter BIS C-650 (page 12)

BIS C-108-05/L
BIS C-108-11/L
BIS C-117-05/L
BIS C-130-05/L

0-15	0-17	0-10
0-15	0-17	0-10
±11	±13	±9
±11	±13	±8
±11	±13	±7
±11	±13	±5
±5	±8	
0-12	0-15	0-8
13-6	15-9	10
22-10	26-16	15

angle

aluminum/plastic PA 66
round



BIS C-302-__

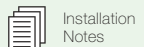
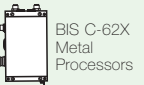
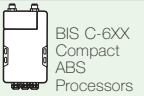
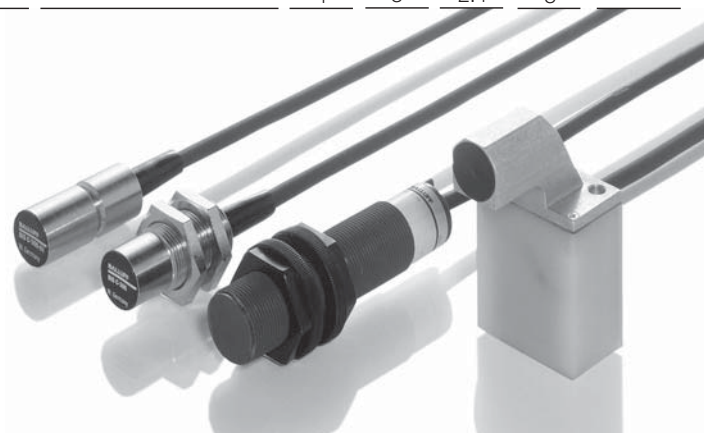
flush
0...+70 °C
-20...+85 °C
IP 67

5 m or 10 m/PUR

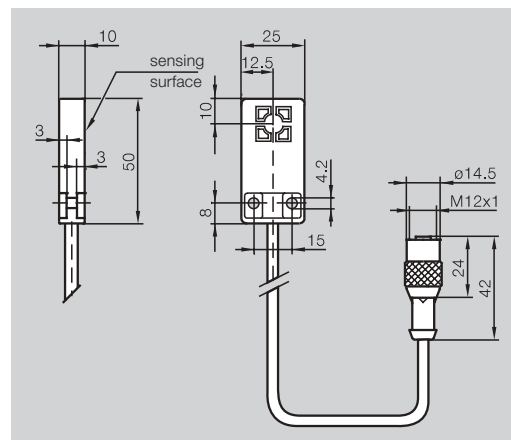
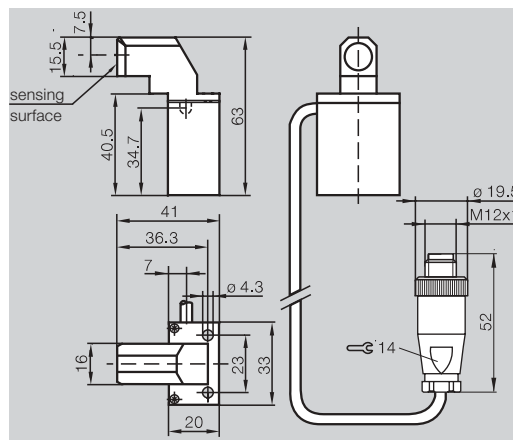
Converter BIS C-901 (page 38) or
Adapter BIS C-650 (page 12)

BIS C-100-05/A
BIS C-103-05/A
BIS C-105-05/A
BIS C-122-04/L

0-2	0-2	0-1.5	0-2
0-2.5	0-2.5	0-2.0	0-2.5
±2.5	±2	±1.5	±2
1	1	1	1
4	3	2.4	3



Dimensions	angle	50x25x10
Housing material	steel/plastic PA 66	plastic ABS
Antenna type	round	round

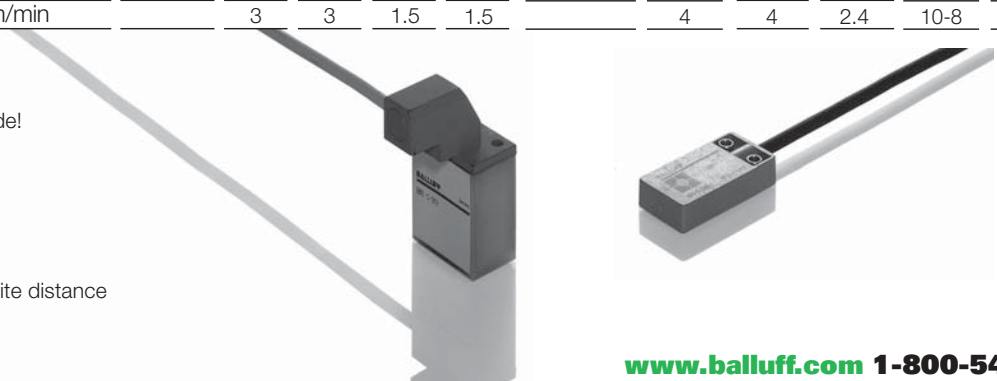


Order code	BIS C-313-01	BIS C-305-__
Mounting in steel	flush	flush
Operating temperature	0...+70 °C	0...+70 °C
Storage temperature	-20...+85 °C	-20...+85 °C
Protection per IEC 529	IP 67	IP 67
Cable	1 m/GORE	1 m, 5 m or 10 m/PVC
Connection to	Converter BIS C-901 (page 38) or Adapter BIS C-650 (page 12) only with connection cable BIS C-505/506 (page 41) please order separately	Converter BIS C-901 (page 38) or Adapter BIS C-650 (page 12)

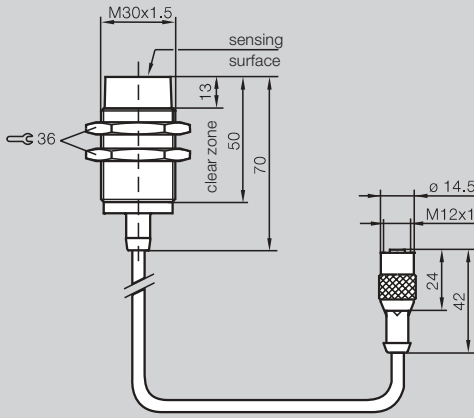
		BIS C-100-05/A	BIS C-103-05/A	BIS C-105-05/A	BIS C-122-04/L	BIS C-100-05/A	BIS C-103-05/A	BIS C-105-05/A	BIS C-117-05/A	BIS C-117-05/L	BIS C-122-04/L
appropriate data carriers											
Static mode											
Write distance in mm		0-2	0-2	0-1	0-1	0-2	0-2	0-1.5	1-4	0-9	0-2
Read distance in mm		0-2.5	0-2.5	0-1.5	0-1.5	0-3	0-3	0-2	1-5	0-9	0-2.5
Offset in mm											
at distance											
1 mm		±2	±2	±1	±1	±2.5	±2.5	±1.5	±5	±9	±2
3 mm									±4	±8	
5 mm											
7 mm									±3	±7	
10 mm										±4	
15 mm											
20 mm											
Dynamic mode											
Read/Write distance in mm		1	1	1	1	1	1	1	1-3	1-6	1
V _{max} to write bytes 0...3 in m/min									6-4	10-6	
V _{max} to read bytes 0...3 in m/min		3	3	1.5	1.5	4	4	2.4	10-8	18-10	3

For read/write heads with integral cable, please indicate length in ordering code!
01 = length 1 m
05 = length 5 m
10 = length 10 m

Caution!
At 10 m cable length, read/write distance is reduced by 10 %.



M30
nickel plated brass
round

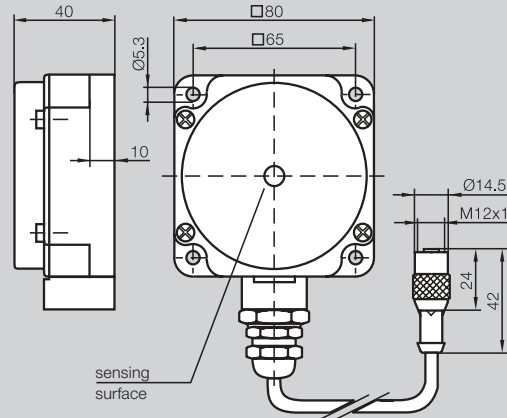


BIS C-310-__

non-flush
0...+70 °C
-20...+85 °C
IP 67

1 m, 5 m or 10 m/PUR
Converter BIS C-901 (page 38) or
Adapter BIS C-650 (page 12)

Maxi-Sensor
plastic PBTP
round



BIS C-315-__

flush
0...+70 °C
-20...+85 °C
IP 67

1 m, 5 m or 10 m/PUR
Converter BIS C-901 (page 38) or
Adapter BIS C-650 (page 12)



Data Carriers

Read/Write Heads, Data Coupler

BIS C-4XX Processors

BIS C-6XX Compact ABS Processors

BIS C-62X Metal Processors

Parallel Read Only System

Card Holder, Adapters & Clamping Cuffs

Expander Module

Converter

Handy Programmer

Connector Cables with Connectors

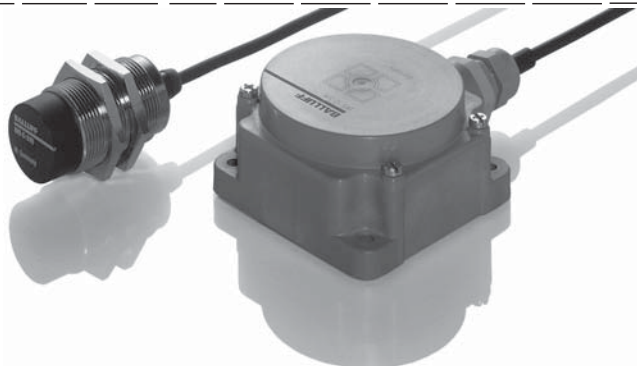
Connectors, Termination Resistor

Installation Notes

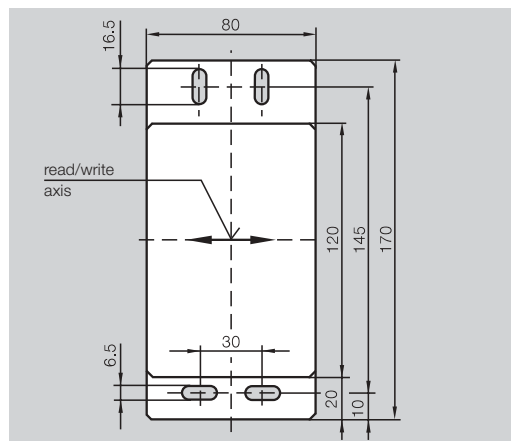
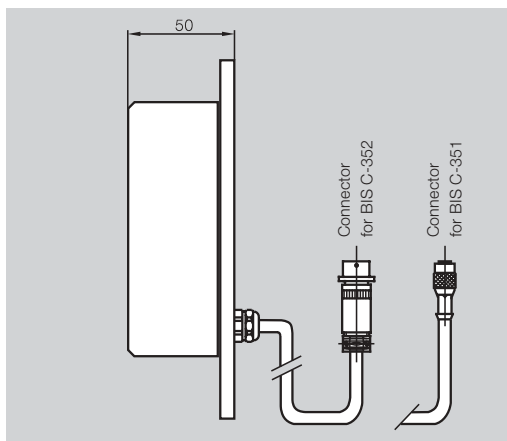
Read/Write Times

PC Software

BIS C-104-__/_A	BIS C-108-05/L	BIS C-108-11/L	BIS C-108-10/L	BIS C-108-30/L	BIS C-117-05/A	BIS C-117-05/L	BIS C-128-__/_L flush	BIS C-128-__/_L non-flush	BIS C-130-05/L flush	BIS C-130-05/L non-flush	BIS C-104-__/_A	BIS C-108-__/_L	BIS C-117-05/A	BIS C-117-05/L	BIS C-127-05/L	BIS C-128-__/_L	BIS C-130-05/L
1-7	1-6	1-6	1-6	1-7	0-12	0-5	0-12	0-4	0-10		1-8	2-11	3-15	0-25	10-35	0-25	0-15
1-8	1-7	1-7	1-8	1-8	0-12	0-5	0-12	0-4	0-10		1-8	2-11	3-15	0-25	10-35	0-25	0-15
±7	±6	±6	±7	±10	±8	±10	±5	±9			±15	±15	±15	±15	±20	±15	±12
±6	±5	±6	±6	±10	±6	±10	±3	±8			±14	±14	±12	±15	±20	±15	±12
±4	±3	±5	±4	±9	±5	±9		±7			±11	±12	±12	±15	±20	±15	±12
±3		±3	±3	±9		±9		±5			±10	±11	±12	±15	±20	±15	±12
													±12	±15	±20	±15	±10
														±15	±20	±15	±5
														±10	±20	±10	
1-6	1-5	1-5	1-6	1-7		1-7		1-7			1-6	2-8	3-11	5-15	10-20	5-15	5-15
8-3	7-3	7-6	8-4	12-10		12-10		10-6,5			18-12	18-13	18-14	18	24	18	14-6
14-6	12-6	12-10	14-6	20-18		20-18		18-10			30-20	30-20	30-24	30	40	30	24-10



Dimensions	170×80×50	170×80×50
Housing material	polyacetate	polyacetate
Antenna type	rod	rod

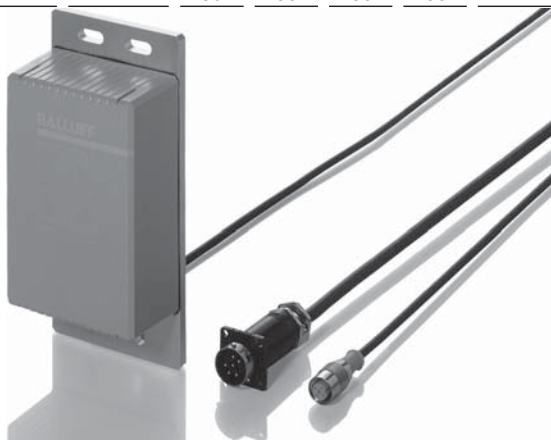


Order code	BIS C-351-__	BIS C-352-00,3
Mounting in steel	non-flush	non-flush
Operating temperature	-20...+80 °C	-20...+80 °C
Storage temperature	-20...+85 °C	-20...+85 °C
Protection per IEC 529	IP 67	IP 67
Cable	5 m or 10 m/PUR	0.3 m/PUR
Connection to	Converter BIS C-901 (page 38) or Adapter BIS C-650 (page 12)	Processor only with connection cable BIS C-5_ _ _ _ (page 40/41) please order separately or Adapter BIS C-670 (page 12)

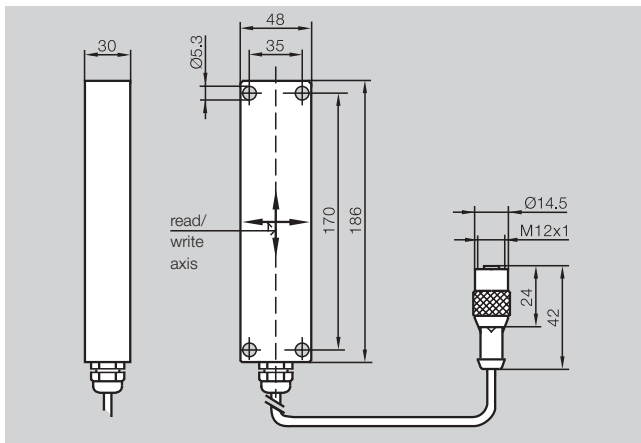
	BIS C-150-05/A	BIS C-150-11/A	BIS C-150-10/A	BIS C-150-30/A	BIS C-150-05/A	BIS C-150-11/A	BIS C-150-10/A	BIS C-150-30/A
appropriate data carriers								
Static mode								
Write distance in mm	40	40	40	40	40	40	40	40
Read distance in mm	50	50	50	50	50	50	50	50
Offset in mm								
at distance								
1 mm								
5 mm								
10 mm	±15	±15	±15	±15	±15	±15	±15	±15
20 mm	±15	±15	±15	±15	±15	±15	±15	±15
30 mm								
60 mm								
Dynamic mode								
Read/Write path in mm	56/70	56/70	56/70	56/70	56/70	56/70	56/70	56/70
Read/Write distance in mm	28/35	28/35	28/35	28/35	28/35	28/35	28/35	28/35
V _{max} to write bytes 0...3 in m/min	32	32	32	32	32	32	32	32
V _{max} to read bytes 0...3 in m/min	60	60	60	60	60	60	60	60

For read/write heads with integral cable, please indicate length in ordering code!
05 = length 5 m
10 = length 10 m

Caution!
At 10 m cable length, read/write distance is reduced by 10 %.



186x48x30
plastic PA 66
round



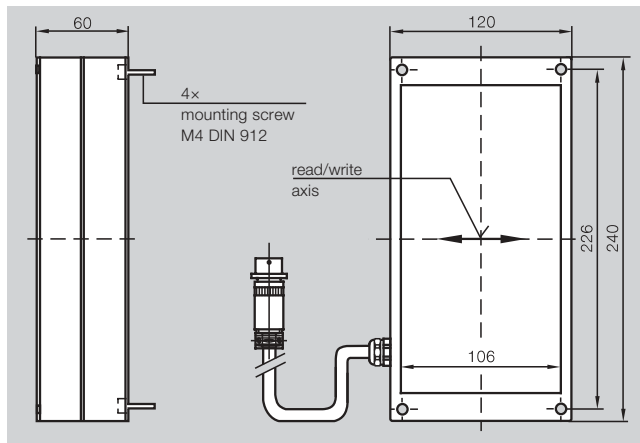
BIS C-318-__

non-flush
0...+70 °C
-20...+85 °C
IP 65

5 m or 10 m/PUR

Converter BIS C-901 (page 38) or
Adapter BIS C-650 (page 12)

240x120x60
Polycarbonate
rod



BIS C-350-00,3

non-flush
0...+40 °C
-20...+85 °C
IP 67

0.3 m/PUR

Processor only with connection cable
BIS C-5_ _ _ _ (page 40/41) please order separately
or Adapter BIS C-670 (page 12)

BIS C-117-05/L
BIS C-127-05/L
BIS C-128- _ _ /L

8 38 8
8 38 8
±9 ±9
±7 ±7
±25
±25
±20

70/80 70/80 70/80
6 20 6
46 46 46
80 80 80

BIS C-150-05/A
BIS C-150-11/A
BIS C-150-10/A
BIS C-150-30/A

90 90 90 90
100 100 100 100
±30 ±30 ±30 ±30
±30 ±30 ±30 ±30
±30 ±30 ±30 ±30

126/140 126/140 126/140 126/140
63/70 63/70 63/70 63/70
75 75 75 75
120 120 120 120



Data Carriers



Read/Write Heads, Data Coupler



BIS C-4XX Processors



BIS C-6XX Compact ABS Processors



BIS C-62X Metal Processors



Parallel Read Only System



Card Holder, Adapters & Clamping Cuffs



Expander Module



Converter



Handy Programmer



Connector Cables with Connectors



Connectors, Termination Resistor



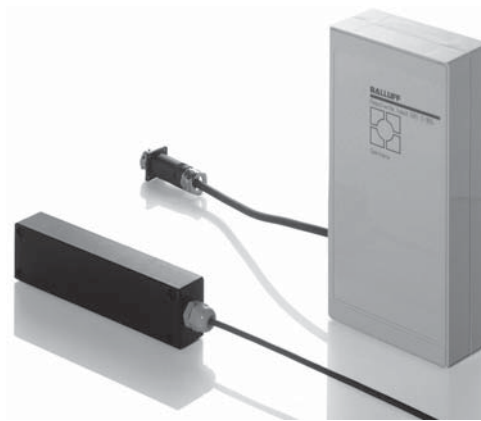
Installation Notes



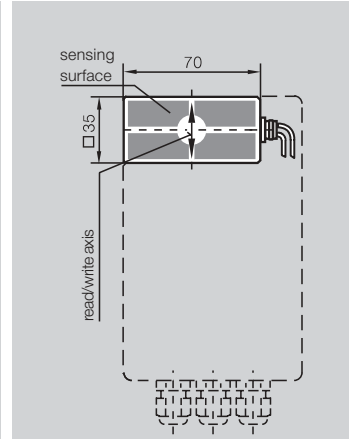
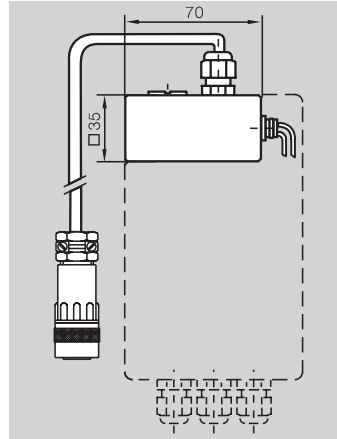
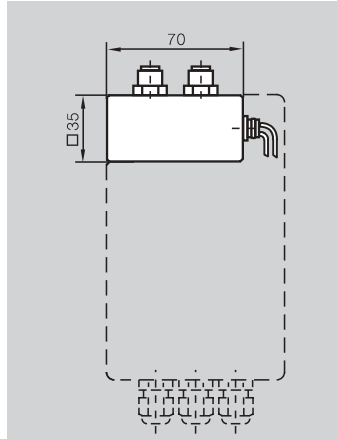
Read/Write Times



PC Software

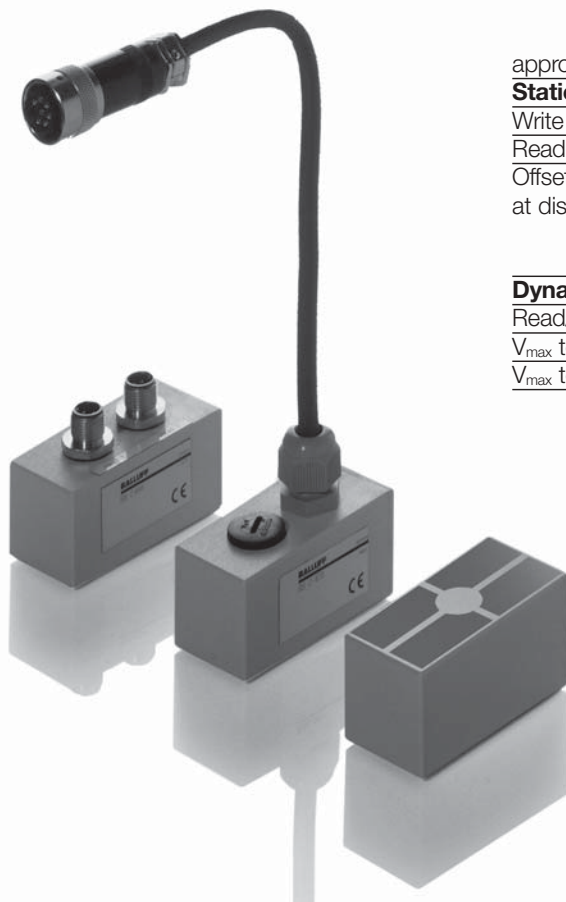


Dimensions	70x35x35	70x35x35	70x35x35
Housing material	plastic PS	plastic PS	plastic PS
Antenna type			rod
Function	Adapter	Adapter	Read/Write Head



Order code	BIS C-650	BIS C-670	BIS C-653
Mounting in steel			non-flush
Operating temperature	0...+60 °C	0...+60 °C	0...+60 °C
Storage temperature	0...+60 °C	0...+60 °C	0...+60 °C
Protection per IEC 529	IP 65 (when installed)	IP 65 (when installed)	IP 65 (when installed)
Read head connection	2 built-in connectors 4-pin	1 built-in connectors 8-pin	3-pin female
Connection to	Processors BIS C-60_ (page 18-29)	Processors BIS C-60_ (page 18-29)	Processors BIS C-60_ (page 18-29)
Connection for	Read/Write Heads BIS C-3_ _ Exception: BIS C-350 and BIS C-352	Read/Write Heads BIS C-350 and BIS C-352	

BIS C-150-05/A	BIS C-150-11/A	BIS C-150-10/A	BIS C-150-30/A
----------------	----------------	----------------	----------------



appropriate data carriers

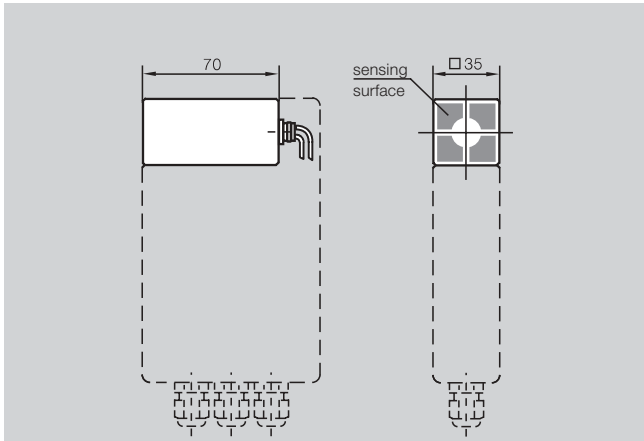
Static mode

Write distance in mm	35	35	35	35
Read distance in mm	40	40	40	40
Offset in mm	1 mm	±15	±15	±15
at distance	3 mm	±15	±15	±15
	5 mm	±15	±15	±15
	7 mm	±15	±15	±15

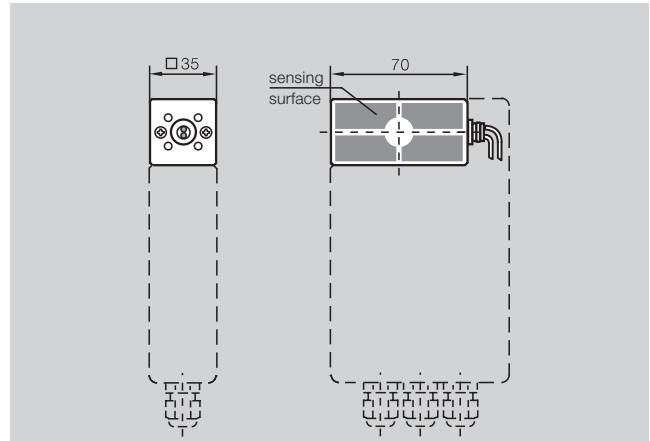
Dynamic mode

Read/Write distance in mm	25/28	25/28	25/28	25/28
V _{max} to write bytes 0...3 in m/min	20	20	20	20
V _{max} to read bytes 0...3 in m/min	40	40	40	40

70x35x35
plastic PS
round
Read/Write Head



BIS C-651



BIS C-652

non-flush
0...+60 °C
0...+60 °C
IP 65 (when installed)
3-pin female
Processors BIS C-60_
(page 18-29)

BIS C-104-__/_A	BIS C-108-05/L BIS C-108-11/L	BIS C-108-10/L BIS C-108-30/L	BIS C-117-05/A	BIS C-117-05/L	BIS C-128-__/_L	BIS C-130-05/L
1-7	1-6	1-6	1-7	0-12	0-11	1-7
1-8	1-7	1-7	1-8	0-12	0-11	1-8
±7	±6	±6	±7	±10	±10	±7
±6	±5	±6	±6	±10	±10	±6
±4	±3	±5	±4	±9	±9	±4
±3		±3	±3	±9	±9	±3
1-6	1-5	1-5	1-6	1-7	1-7	1-6
8-3	7-3	7-3	8-3	12-10	12-10	8-3
17-7	14-7	14-7	17-7	24-21	24-21	17-7

