

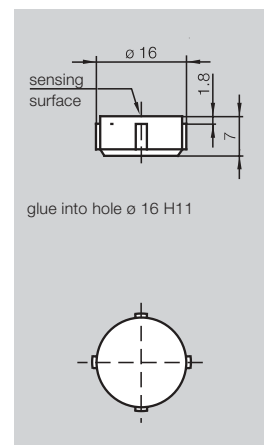
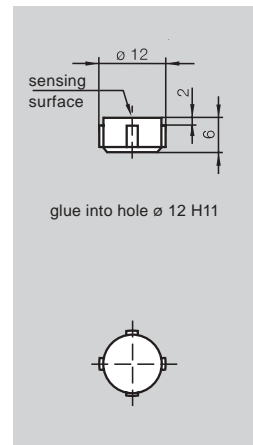
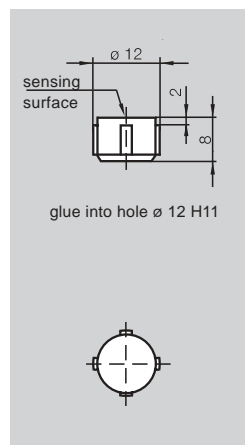
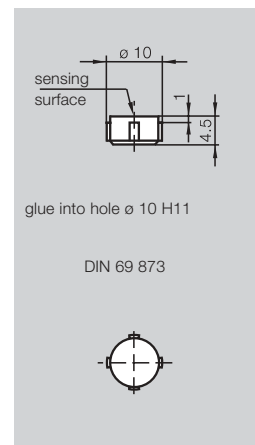
|                  |
|------------------|
| Dimensions       |
| Housing material |
| Antenna type     |

|                |
|----------------|
| <b>Ø10x4.5</b> |
| pressed epoxy  |
| round          |

|               |
|---------------|
| <b>Ø12x8</b>  |
| pressed epoxy |
| round         |

|               |
|---------------|
| <b>Ø12x6</b>  |
| pressed epoxy |
| round         |

|               |
|---------------|
| <b>Ø16x7</b>  |
| pressed epoxy |
| round         |



**BIS C Programmable**

|            |            |
|------------|------------|
| 511 Bytes  | Order code |
| 1023 Bytes | Order code |
| 2047 Bytes | Order code |
| 2 kBytes   | Order code |
| 8 kBytes   | Order code |

|                |
|----------------|
| BIS C-122-04/L |
|                |
|                |
|                |

|                |
|----------------|
| BIS C-103-05/A |
|                |
|                |
|                |

|                |
|----------------|
| BIS C-105-05/A |
|                |
|                |
|                |

|                |
|----------------|
| BIS C-130-05/L |
|                |
|                |
|                |

appropriate  
Read/Write Head

|           |
|-----------|
| BIS C-300 |
| BIS C-302 |
| BIS C-305 |
| BIS C-306 |
| BIS C-313 |

|           |
|-----------|
| BIS C-300 |
| BIS C-302 |
| BIS C-305 |
| BIS C-306 |
| BIS C-313 |

|           |
|-----------|
| BIS C-300 |
| BIS C-302 |
| BIS C-305 |
| BIS C-306 |
| BIS C-313 |

|           |           |
|-----------|-----------|
| BIS C-306 | BIS C-306 |
| BIS C-310 | BIS C-310 |
|           | BIS C-315 |
|           | BIS C-319 |

|                          |
|--------------------------|
| max. read/write distance |
| Mounting in steel        |
| Operating temperature    |
| Storage temperature      |
| Protection per IEC 529   |

|               |
|---------------|
| 2.5 mm        |
| flush         |
| 0...+70 °C    |
| -20...+120 °C |
| IP 67         |

|              |
|--------------|
| 2.5 mm       |
| flush        |
| 0...+70 °C   |
| -20...+85 °C |
| IP 67        |

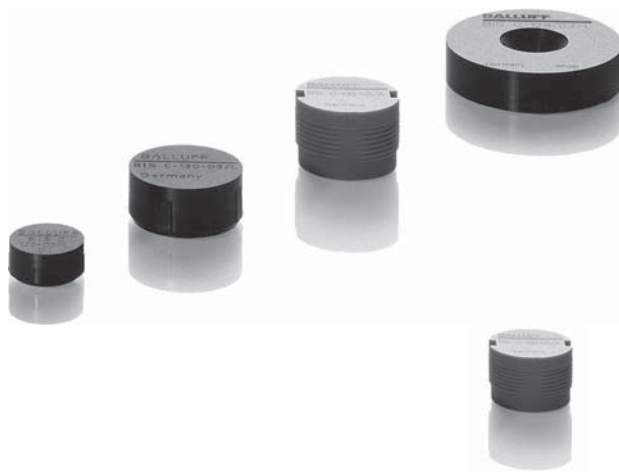
|              |
|--------------|
| 2 mm         |
| flush        |
| 0...+70 °C   |
| -20...+85 °C |
| IP 67        |

|               |           |
|---------------|-----------|
| 3.5 mm        | 10 mm     |
| flush         | non-flush |
| -20...+70 °C  |           |
| -20...+120 °C |           |
| IP 67         |           |

This data carrier may also be used with the adapter on page 36 for 12 mm dia. holes.

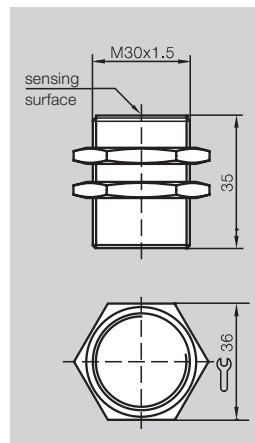
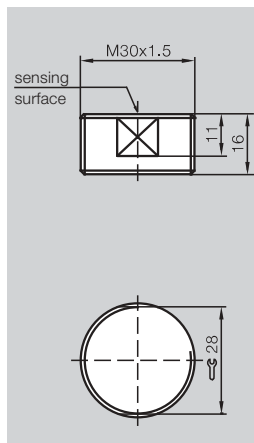
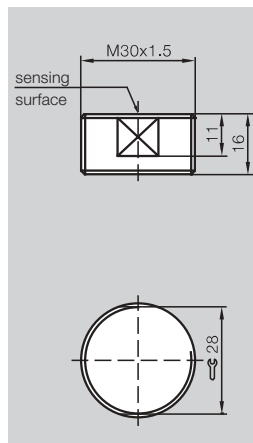
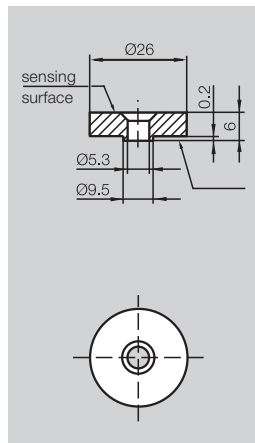
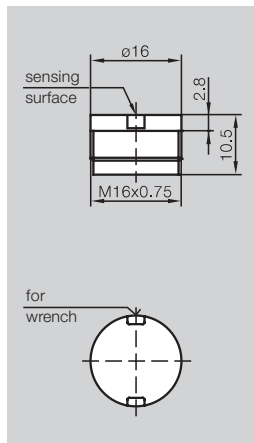
Consult factory if replacing this data carrier with an existing BIS-C-103-02/A

Consult factory if replacing this data carrier with an existing BIS-C-105-02/A



**BIS-Z/Tag-Mounting-Tool**  
for BIS C-100-05/A data carriers  
Please order separately!

|   |  |  |   |                                 |
|---|--|--|---|---------------------------------|
| <b>Ø16x10.5</b><br>plastic PA 66<br>round | <b>Ø26x6</b><br>pressed epoxy<br>round | <b>Ø30x16</b><br>plastic PBTP<br>round | <b>Ø30x16 air coil</b><br>plastic PBTP<br>round | <b>Ø30x35</b><br>brass<br>round |
|---|--|--|---|---------------------------------|



|                |                                  |                |                |  |
|----------------|----------------------------------|----------------|----------------|--|
| BIS C-100-05/A | BIS C-128-05/L<br>BIS C-128-11/L | BIS C-117-05/A | BIS C-117-05/L | BIS C-104-11/A<br>BIS C-104-10/A<br>BIS C-104-30/A |
|----------------|----------------------------------|----------------|----------------|--|

|              |               |           |              |              |              |
|--------------|---------------|-----------|--------------|--------------|--------------|
| BIS C-300    | BIS C-310     | BIS C-310 | BIS C-305    | BIS C-305    | BIS C-310    |
| BIS C-302    |               | BIS C-315 | BIS C-310    | BIS C-310    | BIS C-315    |
| BIS C-305    |               | BIS C-318 | BIS C-315    | BIS C-315    |              |
| BIS C-306    |               |           | BIS C-318    | BIS C-318    |              |
| BIS C-313    |               |           | BIS C-319    | BIS C-319    |              |
| 3 mm         | 5 mm          | 25 mm     | 8 mm         | 25 mm        | 8 mm         |
| flush        | flush         | non-flush | flush        | non-flush    | flush        |
| 0...+70 °C   | -20...+70 °C  |           | -20...+70 °C | -20...+70 °C | 0...+70 °C   |
| -20...+85 °C | -20...+120 °C |           | -20...+85 °C | -20...+85 °C | -20...+70 °C |
| IP 67        | IP 67         |           | IP 67        | IP 67        | IP 67        |

Screw tightening torque  
2.5 Nm

Screw tightening torque  
40 Nm

- Data Carriers
- Read/Write Heads, Data Coupler
- BIS C-4XX Processors
- BIS C-6XX Compact ABS Processors
- BIS C-62X Metal Processors
- Parallel Read Only System
- Card Holder, Adapters & Clamping Cuffs
- Expander Module
- Converter
- Handy Programmer
- Connector Cables with Connectors
- Connectors, Termination Resistor
- Installation Notes
- Read/Write Times
- PC Software

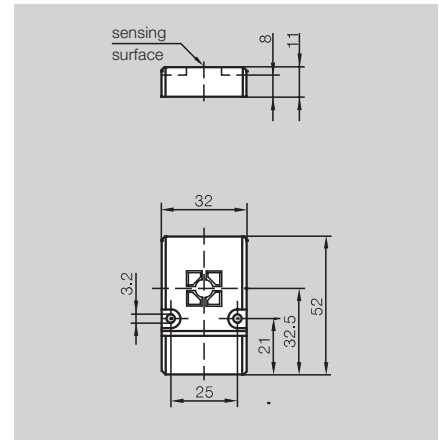


### Read/Write Cycles

| data carriers | memory type     | write cycles up to 30 °C | write cycles up to 70 °C | read cycles |
|---------------|-----------------|--------------------------|--------------------------|-------------|
| 511 Bytes     | EEPROM          | 1 000 000                | 500 000                  | unlimited   |
| 1023 Bytes    | EEPROM          | 1 000 000                | 500 000                  | unlimited   |
| 2047 Bytes    | EEPROM          | 1 000 000                | 500 000                  | unlimited   |
| 2 kBytes      | RAM and battery | unlimited                | unlimited                | unlimited   |
| 8 kBytes      | RAM and battery | unlimited                | unlimited                | unlimited   |

|                  |
|------------------|
| Dimensions       |
| Housing material |
| Antenna type     |

|                 |
|-----------------|
| <b>52x32x11</b> |
| plastic PBTP    |
| round           |



**BIS C Programmable**

|            |            |
|------------|------------|
| 511 Bytes  | Order code |
| 1023 Bytes | Order code |
| 2047 Bytes | Order code |
| 2 kBytes   | Order code |
| 8 kBytes   | Order code |

|                |
|----------------|
| BIS C-108-05/L |
| BIS C-108-11/L |
| BIS C-108-10/L |
| BIS C-108-30/L |

appropriate  
Read/Write Head

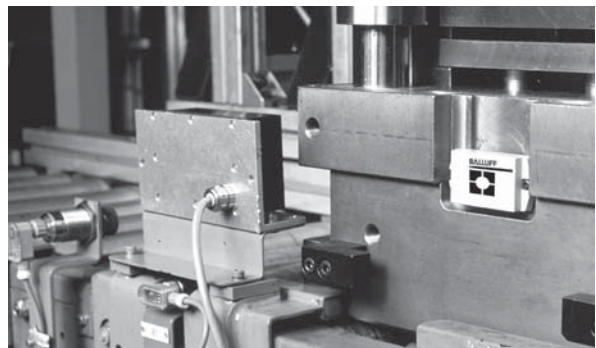
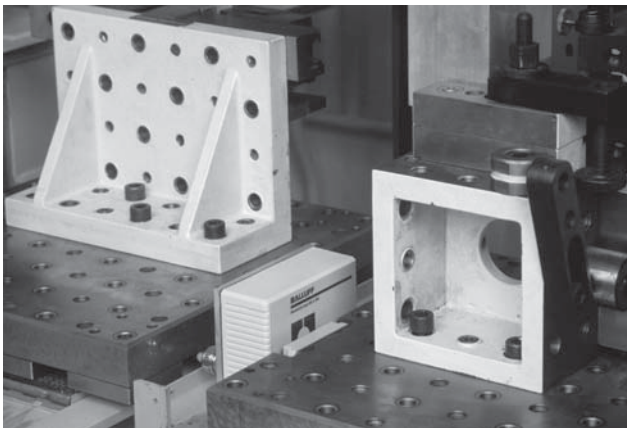
|           |
|-----------|
| BIS C-310 |
| BIS C-315 |
| BIS C-319 |

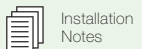
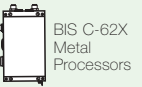
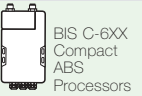


|                          |
|--------------------------|
| max. read/write distance |
| Mounting in steel        |
| Operating temperature    |
| Storage temperature      |
| Protection per IEC 529   |

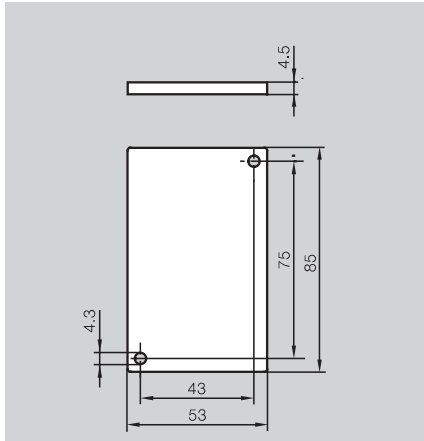
|                            |
|----------------------------|
| 15 mm                      |
| flush                      |
| 0...+70 °C                 |
| -20...+85 °C/-20...+70 °C* |
| IP 67                      |

\*for 2 and 8 kByte versions





|                  |
|------------------|
| <b>85x53x4.5</b> |
| plastic ABS      |
| round            |

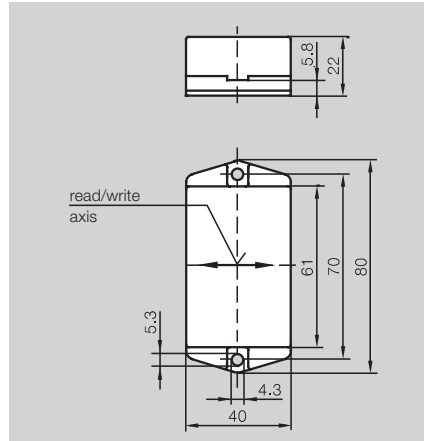


|                |
|----------------|
| BIS C-127-05/L |
|                |
|                |
|                |

|           |
|-----------|
| BIS C-315 |
| BIS C-318 |
|           |
|           |

|              |
|--------------|
| 35 mm        |
| non-flush    |
| 0...+70 °C   |
| -20...+70 °C |
| IP 67        |

|                 |
|-----------------|
| <b>80x40x22</b> |
| plastic POM     |
| rod             |

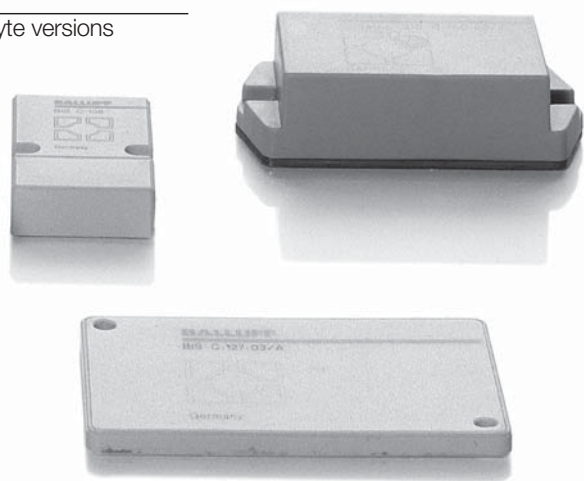


|                |
|----------------|
| BIS C-150-05/A |
| BIS C-150-11/A |
| BIS C-150-10/A |
| BIS C-150-30/A |

|           |
|-----------|
| BIS C-350 |
| BIS C-351 |
| BIS C-352 |
|           |
|           |

|                            |
|----------------------------|
| 100 mm                     |
| non-flush                  |
| 0...+70 °C                 |
| -20...+85 °C/-20...+70 °C* |
| IP 67                      |

\*for 2 and 8 kByte versions



**Read/Write Cycles**

| data carriers | memory type     | write cycles | write cycles | read cycles |
|---------------|-----------------|--------------|--------------|-------------|
|               |                 | up to 30 °C  | up to 70 °C  |             |
| 511 Bytes     | EEPROM          | 1 000 000    | 500 000      | unlimited   |
| 1023 Bytes    | EEPROM          | 1 000 000    | 500 000      | unlimited   |
| 2047 Bytes    | EEPROM          | 1 000 000    | 500 000      | unlimited   |
| 2 kBytes      | RAM and battery | unlimited    | unlimited    | unlimited   |
| 8 kBytes      | RAM and battery | unlimited    | unlimited    | unlimited   |