



	Repeater
	supplied from AS-Interface® circuit

The AS-Interface® repeater is a signal amplifier which refreshes the AS-Interface® telegrams bi-directionally, i. e., from master to slaves and the reverse.

The device is used to increase the 100 m permitted length of the AS-Interface®.

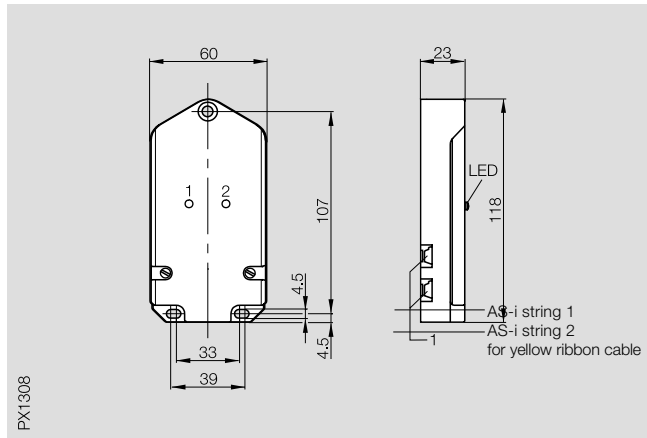
The AS-Interface® repeater increases the distance by 200 m (300 m).

The number of slaves permitted remains the same as before: 31 per master (system-limited).

One AS-Interface® power supply is required for each AS-Interface® segment, since the individual segments are galvanically isolated.

The repeater does not need any additional supply voltage. The required power is taken from the respective AS-Interface® segment.

The transparent way in which the repeater works means no parameters need to be set and no address assigned in the AS-Interface®.



Ordering code	BAS R-LE-02
Supply voltage U_B	per AS-Interface® specification
Rated operational current I_e	60 mA per string segment
Ambient temperature range T_a	0...+55 °C
Degree of protection per IEC 60529	housing IP 65
Timing	6 µs per telegram



AS-Interface® ribbon cable and cable accessories see page 5.27