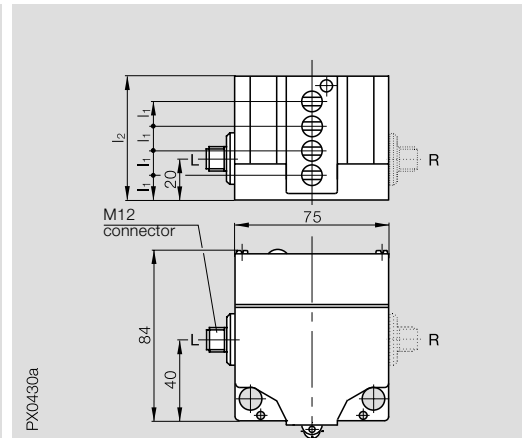
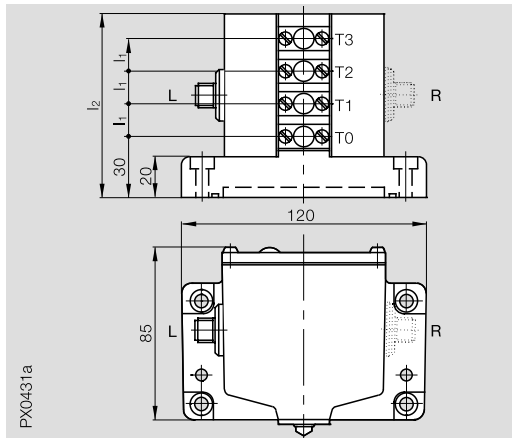




Series	100	61

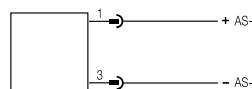


Ordering code	2 plungers	BNS 519-E02-D12-100-10-A _ _	BNS 543-B02-R12-61-12-10-A _ _
	3 plungers	BNS 519-E03-D12-100-10-A _ _	BNS 543-B03-R12-61-12-10-A _ _
	4 plungers	BNS 519-E04-D12-100-10-A _ _	BNS 543-B04-R12-61-12-10-A _ _
Supply voltage U_B	via AS-Interface®		via AS-Interface®
Rated operational current I_o	≤ 50 mA		≤ 50 mA
Ready delay t_v	≤ 1 s		≤ 1 s
Prot. against polarity reversal	yes		yes
Short circuit protected	yes		yes
Function indication	4, condition display		4, condition display
Parametrizable	no		no
Slave profile	S 0.F		S 0.F

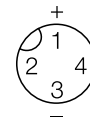
Please add the code for normally-open or normally-closed function to the ordering code!
S = NO, **O** = NC
 BNS 519-E02-D12-100-10-ALO

Please insert desired connector exit direction in the ordering code! **L** = left, **R** = right.
 e. g. BNS 519-E02-D12-100-10-ALO

Wiring diagram



Connector arrangement



Data bit arrangement

Bit	Function
D0	T0
D1	T1
D2	T2
D3	T3



Series 100 and 61 multiple switches are available with chisel, ball, roller or ball bearing plunger. Choose also from 12 mm or 16 mm plunger spacing.

For detailed technical dimensions, see brochure on electromechanical and inductive single and multiple position switches with accessories; article number 715130 E!

Coupling to AS-Interface®-cable via coupling module BAS-K-H00-ADT-S 4.

Programming

preset address 00,
changeable from master
or addressing unit.

