



BOS 25K

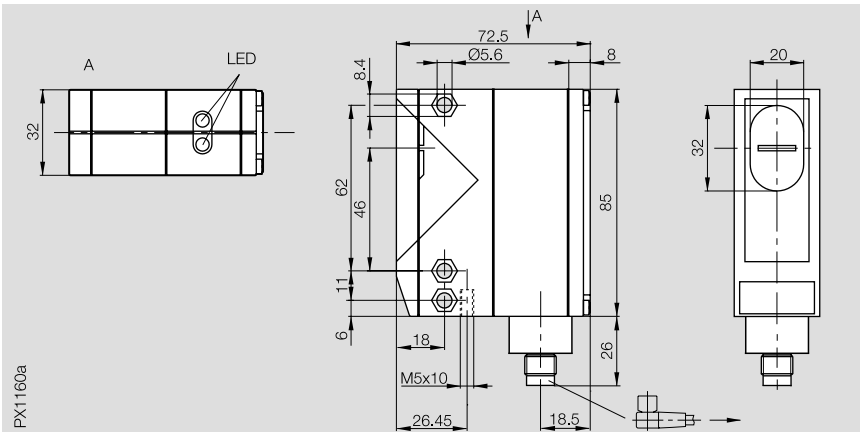
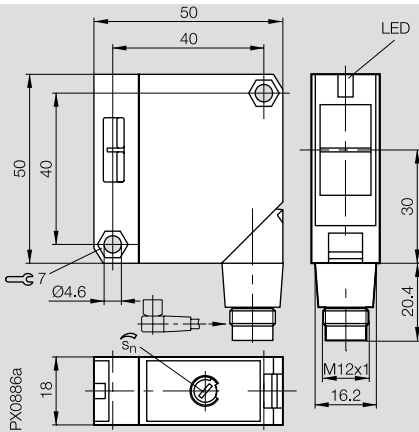
10...4000 mm

BOS 65K

200...1100 mm

BOS 65K

100...8000 mm



BOS 65K-5-M110-ASI-P-S 4

BOS 25K-5-B3-ASI-P-S 4

BOS 65K-5-B8-2P-ASI-S 4

via AS-Interface®

≤ 30 mA

75 V DC

yes

yes

≤ 1 ms

500 Hz

O/● parametrizable
potentiometer 0...270°

LED red

LED green

red 660 nm

-15...+55 °C

IP 65

ABS

PMMA

connector

BKS-S 19/BKS-S 20

switching state*

not used

not used

not used

not used

0 = dark-on, 1 = light-on

not used

not used

S 1.1

via AS-Interface®

≤ 30 mA

75 V DC

yes

yes

≤ 1 ms

500 Hz

O/● parametrizable
range with spindle drive

LED red

LED green

infrared 880 nm

-15...+55 °C

IP 65

PC

PMMA

connector

BKS-S 19/BKS-S 20

switching state*

not used

not used

not used

not used

0 = dark-on, 1 = light-on

not used

not used

S 1.1

via AS-Interface®

≤ 30 mA

75 V DC

yes

yes

≤ 1 ms

500 Hz

O/● parametrizable
potentiometer 0...270°

LED red

LED green

red 660 nm

-15...+55 °C

IP 65

PC

PMMA

connector

BKS-S 19/BKS-S 20

switching state*

not used

not used

not used

not used

0 = dark-on, 1 = light-on

not used

not used

S 1.1

BOS 25K

mounting bracket and
reflector included



BOS 65K

please order
accessories separately



2.3

Accessories
Optosensors
page 2.3.2 ...

5

AS-i
accessories
page 5.26 ...

6

Connectors
page 6.2 ...