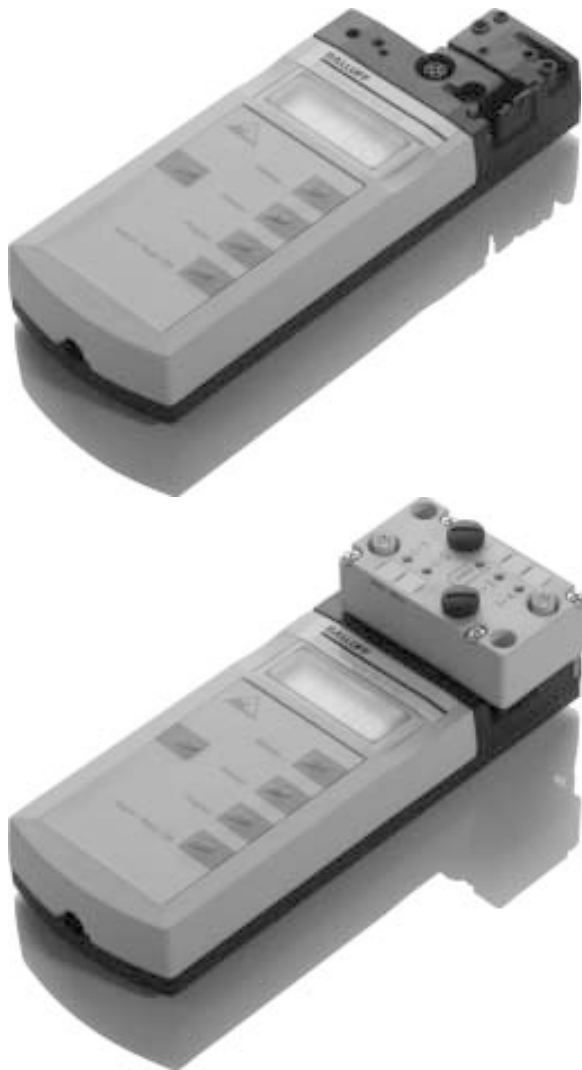
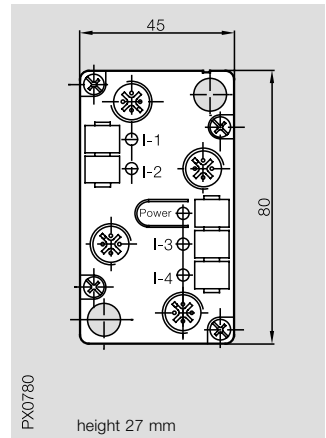


Addressing using the
addressing unit BAS-P-001



AS-Interface® Module
for 4 2/3-wire-sensors



PNP	BAS S-000-S0-P0-S 4
NPN	BAS S-000-S0-N0-S 4
Supply voltage sensors U_{out}	20...30 V DC
Supply voltage U_B	via AS-Interface®
Rated operational current I_e	120 mA
Protected against polarity reversal	yes
Short circuit protected	yes
Ambient temperature range T_a	-25...+85 °C
Inputs	numbers switch OFF I_{in} data ON I_{in} U_{in}
	4 ≤ 1.5 mA ≥ 5 mA ≥ 10 V DC
Output (relays)	numbers load current switch cycles
Actuator supply U_{ext}	through ribbon cable protected against polarity reversal
Function indication	LED green LED yellow
Degree of protection per IEC 60529	1, voltage ON 4, input ON
Pin assignment	IP 67
	pin input
	1 +
	2 NC
	3 -
	4 NO
Data bit assignment	D0/input I1
Bit/function	D1/input I2
	D2/input I3
	D3/input I4
Slave profile	S 0.0
Module base	for ribbon cable for round cable
	BAS S-S0A-ADT BAS S-H0A-RSK

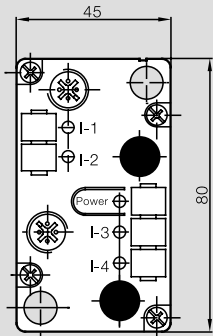
Programming

preset address 00, changeable from master or addressing unit.



AS-Interface® Module

for diagnostic sensor
BES 113-356-SA-6-... or
BES 113-3019-SA 1-...

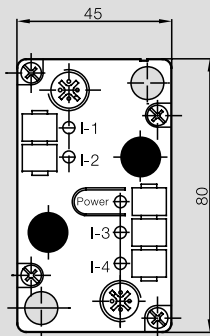


PX0838

height 27 mm

AS-Interface® Module

for 2 2/3-wire-sensors
with static diagnostic
or 2 4-wire sensors

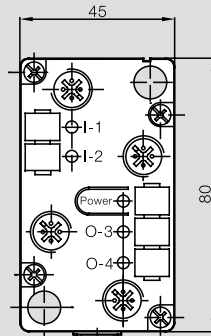


PX0837

height 27 mm

AS-Interface® Module

for 2 2/3-wire-sensors
and 2 relay outputs



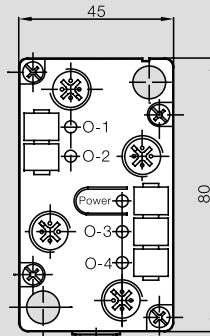
PX0839a

height 27 mm

M12x1

AS-Interface® Module

with 4 relay outputs



PX0839b

height 27 mm

M12x1

BAS S-0F0-S0-P0-S 4

BAS S-010-S0-P0-S 4

BAS S-300-S0-P1-S 4

BAS S-800-S0-P1-S 4

BAS S-010-S0-N0-S 4

20...30 V DC
via AS-Interface®

120 mA

yes

yes

-25...+85 °C

2

≤ 1.5 mA

≥ 5 mA

≥ 10 V DC

1, voltage ON

4, input ON

IP 67

pin	input
1	+
2	
3	-
4	NO

D0/input (signal) I1

D1/input (monitor) I2

D2/input (signal) I3

D3/input (monitor) I4

S 0.F

BAS S-S0A-ADT

BAS S-H0A-RSK

20...30 V DC
via AS-Interface®

120 mA

yes

yes

-25...+85 °C

2 x 2

≤ 1.5 mA

≤ 5 mA

≥ 10 V DC

1, voltage ON

4, input ON

IP 67

pin	input
1	+
2	diagnostic
3	-
4	NO

D0/input (signal) I1

D1/input (monitor) I2

D2/input (signal) I3

D3/input (monitor) I4

S 0.1

BAS S-S0A-ADT

BAS S-H0A-RSK

20...30 V DC
via AS-Interface®

120 mA

yes

yes

-25...+85 °C

2

≤ 1.5 mA

≥ 5 mA

≥ 10 V DC

2

500 mA

2 x 10⁸

24 V DC

yes

1, voltage ON

2/2, input/output ON

IP 67

pin	input	output	U _{ext}
1	+		+
2	NC		
3	-	- U _{ext}	-
4	NO	+ switched	

D0/input I1

D1/input I2

D2/input I3

D3/input I4

S 3.0

BAS S-S0A-ADT

BAS S-H0A-RSK

20...30 V DC
via AS-Interface®

120 mA

yes

yes

-25...+85 °C

4

500 mA

2 x 10⁸

24 V DC

yes

1, voltage ON

4, output ON

IP 67

pin	output	U _{ext}
1		+
2		
3	- U _{ext}	-
4	+ switched	

D0/output O1

D1/output O2

D2/output O3

D3/output O4

S 8.0

BAS S-S0A-ADT

BAS S-H0A-RSK



please order module
bases separately

5

AS-i
accessories
page 5.26 ...

6

Connectors
page 6.2 ...



Input Module

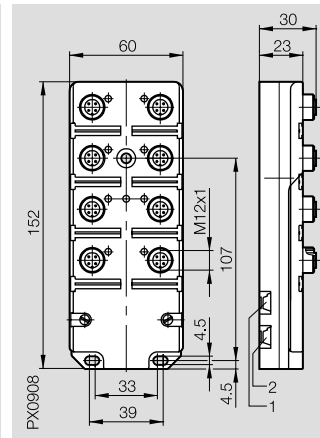
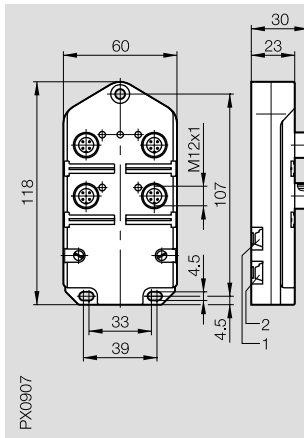
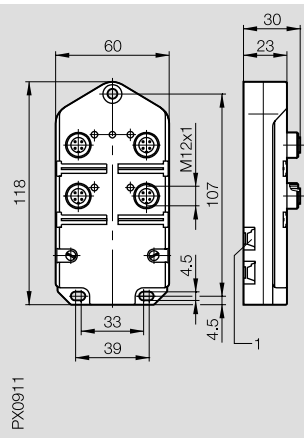
for 4 2/3-wire-sensors

Input-/Output Module

for 2 2/3-wire-sensors
and 2 electronic outputs

Input-/Output Module

for 4 2/3-wire-sensors
and 4 electronic outputs



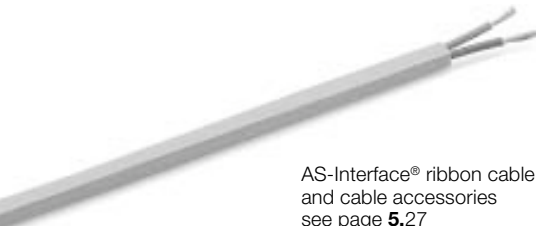
- 1 AS-Interface® standard cable
yellow ribbon cable
- 2 External power supply
black ribbon cable

PNP	BAS S-000-LX-P0-S 4-ADT	BAS S-300-LX-P1-S 4-ADT	BAS S-700-LX-P1-S 4-ADT
Supply voltage sensors U_{out}	20...30 V DC	20...30 V DC	20...30 V DC
Supply voltage U_B	via AS-Interface®	via AS-Interface®	via AS-Interface®
Rated operational current I_e	≤ 130 mA	≤ 130 mA	≤ 135 mA
Protected against polarity reversal	yes	yes	yes
Short circuit protected	yes	yes	yes
Ambient temperature range T_a	-25...+85 °C	-25...+85 °C	-25...+85 °C
Inputs	numbers	2	4
	short circuit protected	limited to 100 mA	limited to 100 mA
	input current	5...8 mA	5...8 mA
Outputs	numbers	2	4
	load per output	2 A	2 A
	current per module	max. 4 A	max. 4 A
	short circuit current limit	> 2 A	> 2 A
Actuator supply U_{ext}	through ribbon cable	24 V DC	24 V DC
	protected against polarity reversal	yes	yes
Function indication	LED green	1, voltage ON	1, voltage ON
	LED yellow	4, input ON	2/2, input/output ON
Degree of protection per IEC 60529	IP 67	IP 67	IP 67
Pin assignment	pin input	pin input output	pin input output
	1 +	1 +	1 +
	2 NC	2 NC	2 NC
	3 -	3 -	3 -
	4 NO	4 NO	4 NO
		- U_{ext}	- U_{ext}
		+ switched	+ switched
Data bit assignment	D0/input I1	D0/input I1	D0/I1 + O1
Bit/function	D1/input I2	D1/input I2	D1/I2 + O2
	D2/input I3	D2/output O3	D2/I3 + O3
	D3/input I4	D3/output O4	D3/I4 + O4
Slave profile	S 0.0	S 3.0	S 7.0
Addressing adapter	BAS ZP-ADAPTER L1	BAS ZP-ADAPTER L1	BAS ZP-ADAPTER L1



Programming

preset address 00, changeable from master or addressing unit.

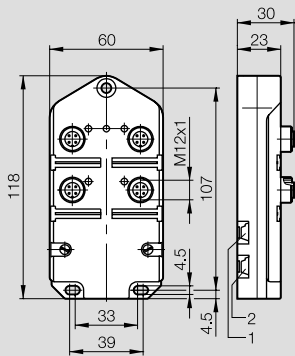


AS-Interface® ribbon cable and cable accessories see page 5.27



Output Module

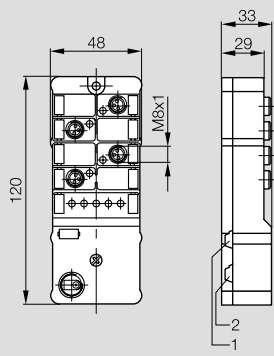
with 4 electronic outputs



PX0907

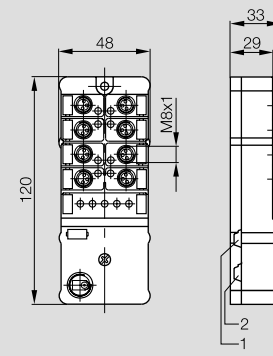
Input Module

for 4 3-wire-sensors



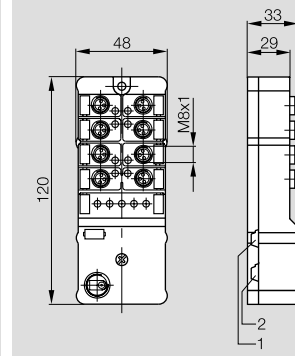
PX1448

Input Module

 for 8 3-wire sensors
 (2 slaves per module)


PX1449

Input-/Output Module

 for 4 3-wire sensors
 and 4 electronic outputs


PX1449

BAS S-800-LX-P1-S 4-ADT

 20...30 V DC
 via AS-Interface®
 ≤ 120 mA
 yes
 yes
 -25...+85 °C

 4
 2 A
 max. 4 A
 > 2 A

 24 V DC
 yes

 1, voltage ON
 4, input/output ON
 IP 67

pin	output
1	
2	
3	- U _{ext}
4	+ switched

 D0/output O1
 D1/output O2
 D2/output O3
 D3/output O4
 S 8.0

BAS ZP-ADAPTER L1

BAS S-000-MX-P0-S 49-ADT

 20...30 V DC
 via AS-Interface®
 ≤ 250 mA
 yes
 yes
 0...+55 °C

 4
 limited to 200 mA
 ≤ 11 mA

 1, voltage ON
 4, input ON
 IP 65

pin	input
1	+
3	-
4	NO

 D0/input I1
 D1/input I2
 D2/input I3
 D3/input I4
 S 0.0

BAS ZP-ADAPTER M1

BAS S-002-MX-P0-S 49-ADT

 20...30 V DC
 via AS-Interface®
 ≤ 250 mA
 yes
 yes
 0...+55 °C

 2 x 4
 limited to 200 mA
 ≤ 11 mA

 2, voltage ON
 8, input ON
 IP 65

pin	input
1	+
3	-
4	NO

 D0 input I0 D0 input I4
 D1 input I1 D1 input I5
 D2 input I2 D2 input I6
 D3 input I3 D3 input I7
 2 x S 0.0

BAS ZP-ADAPTER M1

BAS S-700-MX-P1-S 49-ADT

 20...30 V DC
 via AS-Interface®
 ≤ 50 mA
 yes
 yes
 0...+55 °C

 4
 limited to 200 mA
 ≤ 11 mA

 A, voltage ON
 4/4, input/output ON
 IP 65

pin	input	output
1	+	
3	-	- U _{ext}
4	NO	+ switched

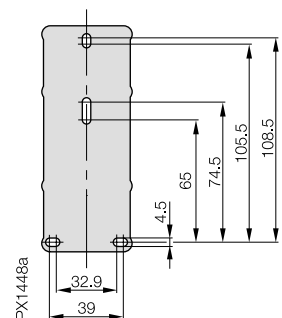
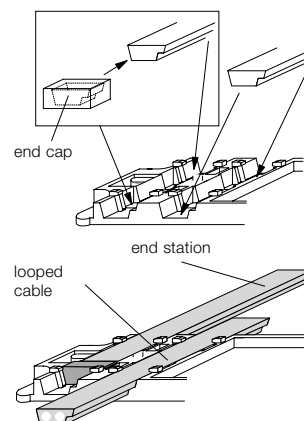
 D0/I0 + O0
 D1/I1 + O1
 D2/I2 + O2
 D3/I3 + O3
 S 7.0

BAS ZP-ADAPTER M1


Modules BAS-S-...-MX-..

end cap for last station

hole pattern


5

 AS-i
 accessories
 page 5.26 ...

6

 Connectors
 page 6.2 ...