

This unit permits the modules as well as the AS-Interface®-compatible sensors and actuators to be manually programmed with the desired address.

The operation of this unit is quite simple, and uses just 5 buttons:

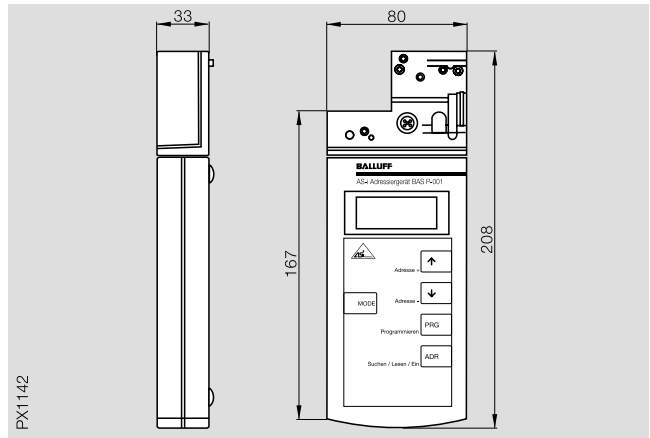
- <+> = increment slave address
- <-> = decrement slave address
- <PROG> = address slave
- <ADR> = read slave
- <MODE> = function select

In addition, the display indicates any error conditions which may occur.

Most AS-Interface® slaves can be directly connected to the device adapter without any additional accessories.

The BAS ZP-ADAPTER M1 address adapter (cinch) allows all AS-i slaves to be addressed using a cinch addressing connector.

The BAS ZP-ADAPTER L1 allows addressing of all AS-i slave flat modules.



Addressing Unit	
Ordering code	BAS P-001
Keyboard	membrane, 5 keys
Display	LCD-display
Interface	AS-Interface®, short and overload protected
Power supply	NiCad battery, use only the charger provided (charging time ca. 14 h)
Charger	for 230 V AC, supplied
Charge life	8 h/≥ 250 read/write cycles for fully charged battery
Ambient temperature range T <sub>a</sub>	0...+50 °C
Degree of protection per IEC 60529	IP 20

**Addressing adapter**  
**BAS ZP-ADAPTER L1**  
please order separately

**Addressing adapter**  
**BAS ZP-ADAPTER M1**  
please order separately

